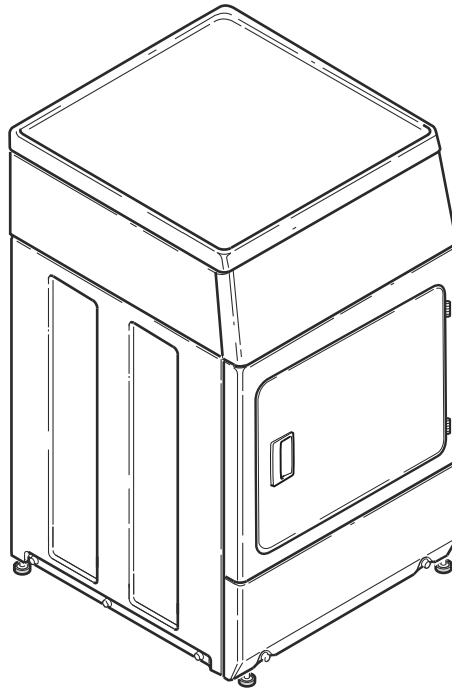


# Commercial Dryers

Metered and Nonmetered  
Refer to Page 3 for Model Numbers



DRY721C\_515202



# Table of Contents

Title	Page
Parts Ordering Information.....	2
Serial Plate Location .....	2
Model Identification .....	3
Control Panel and Controls - Coin Drop and Card Models .....	4
Control Cabinet Controls - Coin Drop Models.....	6
Non-Electronic Coin Drop .....	8
Electronic Coin Drop .....	10
Integrated Card Reader Installed and Ready Models.....	12
Cabinet Top .....	14
Loading Door without Window .....	16
Loading Door with Window .....	18
Access Panel, Front Panel and Seal .....	20
Motor, Exhaust Fan and Belt .....	22
Front Bulkhead, Air Duct and Felt Seal.....	24
Cylinder Assembly without Light .....	26
Front Bulkhead, Air Duct, Felt Seal and Cylinder with Light .....	28
Rear Bulkhead, Felt Seal, Cylinder Roller and Terminal Block.....	30
Heater Duct and Element Assembly - Electric Model Dryers.....	32
Heater Duct Assembly - Gas Model Dryers .....	34
Gas Valve, Igniter and Gas Conversion Kits.....	36
Burner Orifice Spuds - For Higher Elevations .....	38
Cabinet, Exhaust Duct and Base .....	40
Power Cord .....	42
Terminal Block and Terminals (Drawing 1 of 2).....	44
Terminal Block and Terminals (Drawing 2 of 2).....	46
Terminals and Terminal Extractor Tools .....	48
Wire Harnesses and Wires .....	50
Parts Index.....	53

© Copyright 2015, Alliance Laundry Systems LLC

All rights reserved. No part of the contents of this book may be reproduced or transmitted in any form or by any means without the expressed written consent of the publisher.

## Parts Ordering Information

If literature or replacement parts are required, contact the source from whom the machine was purchased or contact Alliance Laundry Systems at (920) 748-3950 for the name and address of the nearest authorized parts distributor.

For technical assistance, call either of the numbers listed below:

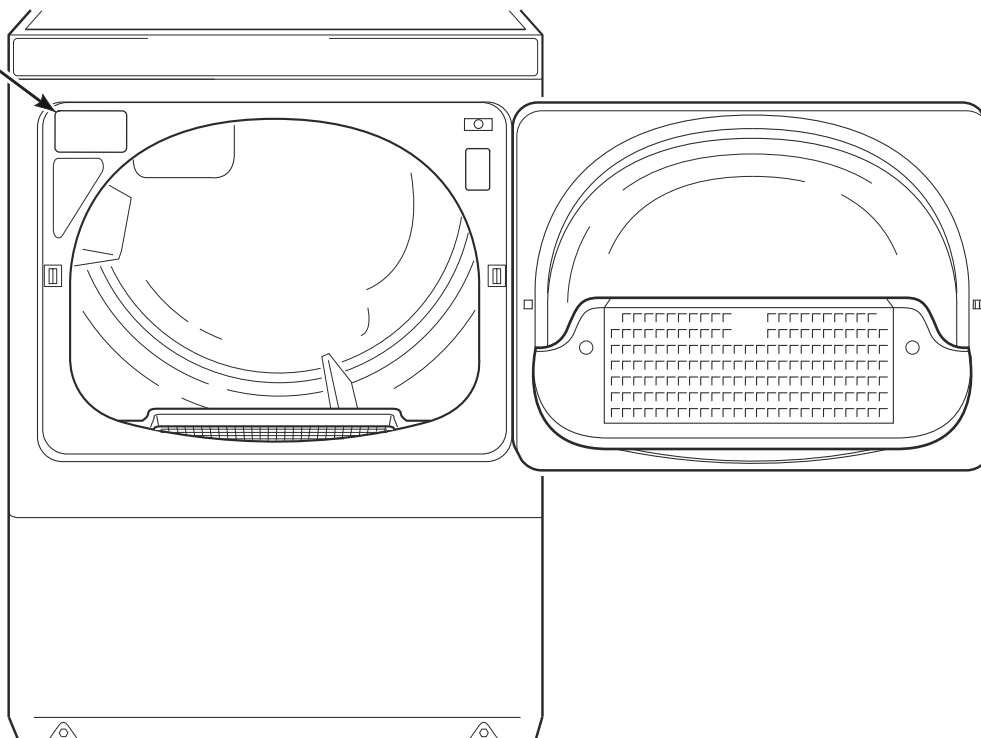
(920) 748-3121 Ripon, Wisconsin

+32 56 41 20 54 Wevelgem, Belgium

## Serial Plate Location

When calling or writing about your product, be sure to mention model and serial numbers. Model and serial numbers are located on serial plate(s) as shown.

Serial Plate



DRY2283P\_515202

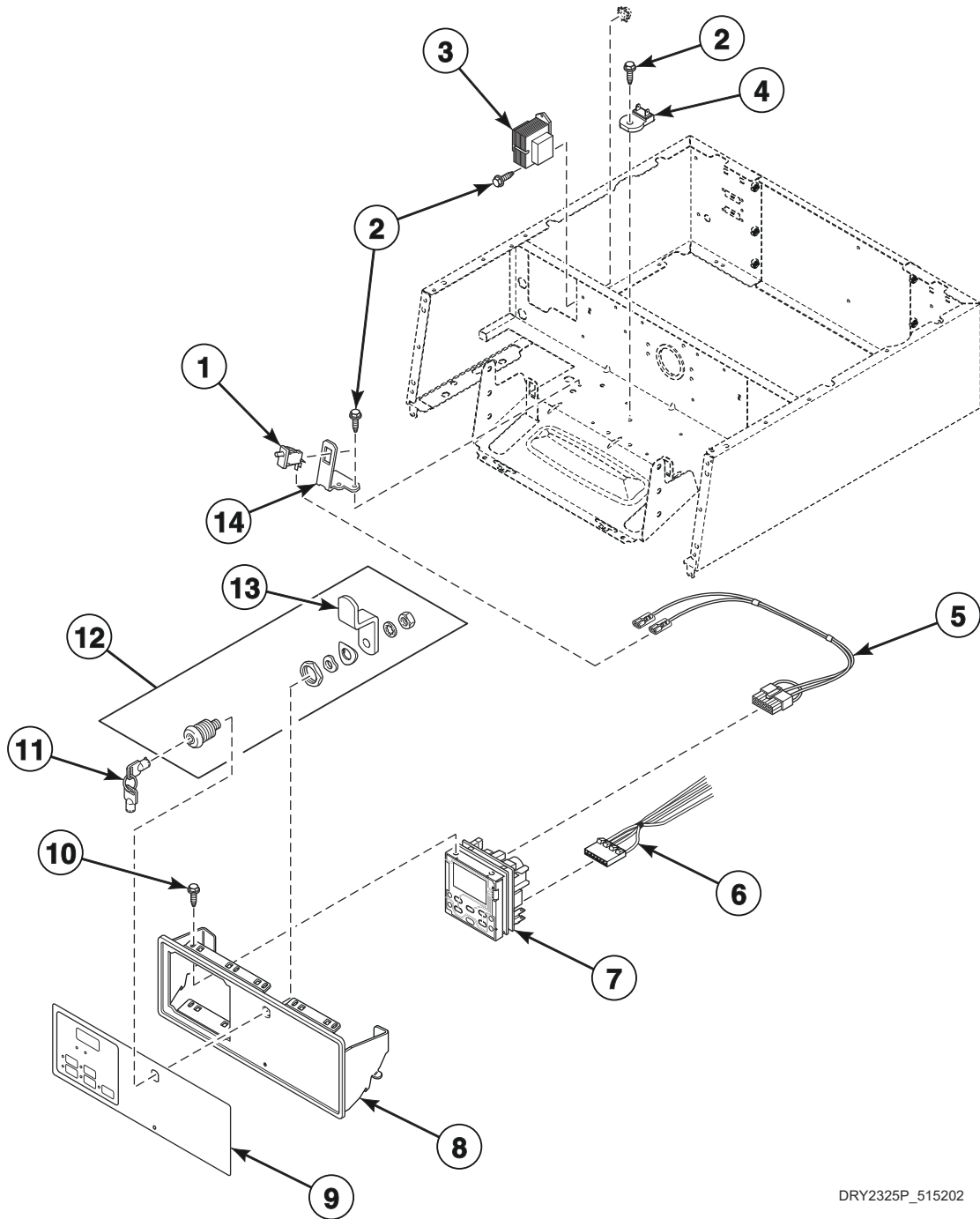
## Model Identification

Information in this manual is applicable to these dryer models:

BDEBCAGS171TN01  
BDEBCAGS171TW01  
BDEBXAGS171TW01  
BDGBCAGS111TN01  
BDGBCAGS111TW01  
BDGBXAGS111TW01  
HDEBCAGS171TW01  
HDGBCAGS111TW01  
KDEBCACW171TN01  
KDEBGACW171TN01  
KDGBCACW111TN01  
KDGBGACW111TN01

SDEBCAGS171TQ01  
SDEBCAGS171TW01  
SDEBXAGS171TW01  
SDEBYAGS171TW01  
SDGBCAGS111TQ01  
SDGBCAGS111TW01  
SDGBXAGS111TW01  
SDGBYAGS111TW01

# Control Panel and Controls - Coin Drop and Card Models



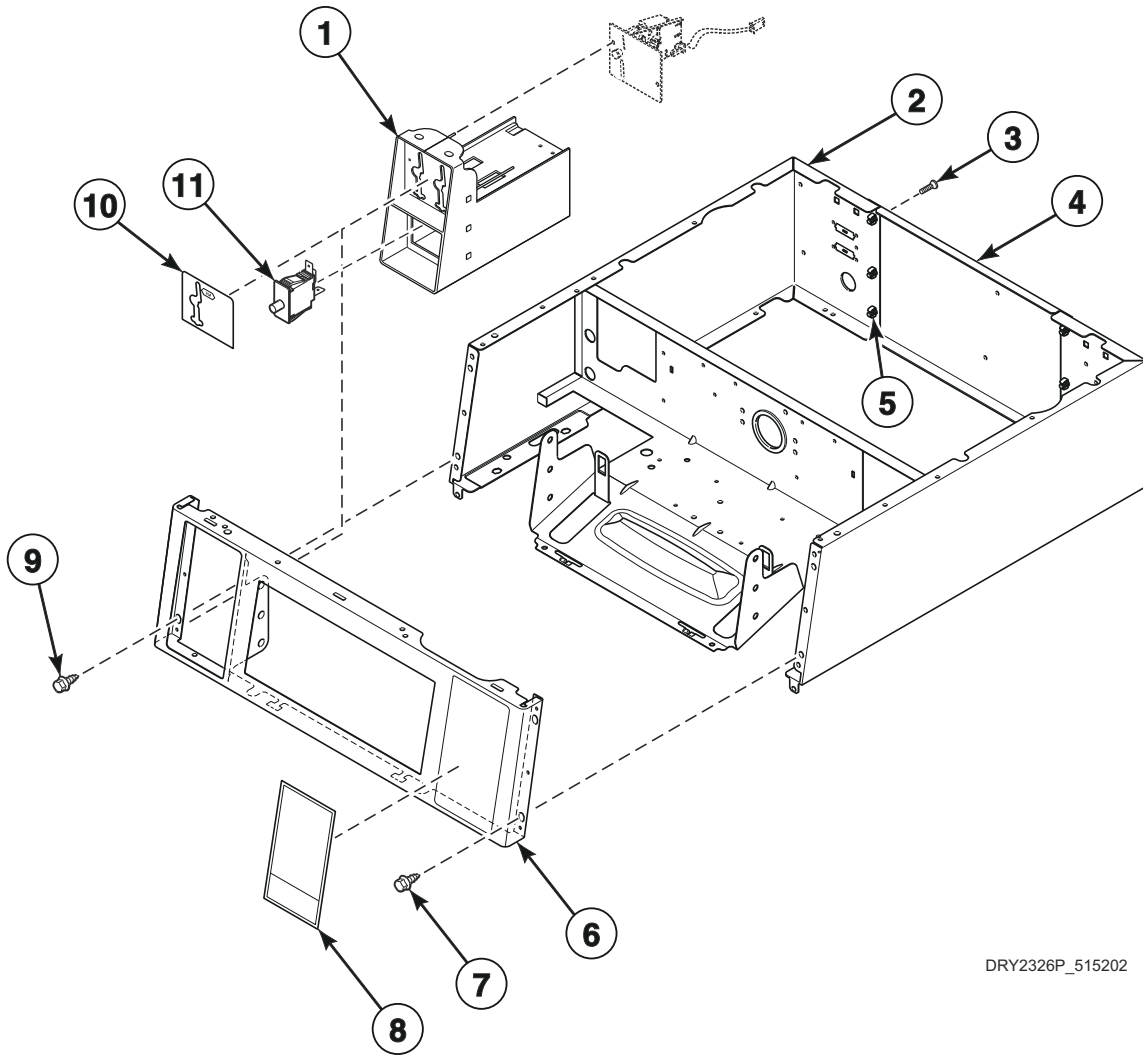
DRY2325P\_515202

## Control Panel and Controls - Coin Drop and Card Models

REF	PART NO.	DESCRIPTION	COMMENTS
1	512973	Switch	
2	503688	Screw	
3	201375P	Transformer	Some models may have jumper wire attached to transformer. Discard jumper wire when replacing transformer; Models BDEBXAGS171TW01, BDGBXAGS111TW01, KDEBGACW171TN01, KDGBGACW111TN01, SDEBXAGS171TW01, SDEBYAGS171TW01, SDGBXAGS111TW01 and SDGBYAGS111TW01
	210018P	Transformer	All other models
4	210100	Resistor	
5	800374	Diagnostic Wire Harness Assembly	Models KDEBGACW171TN01, KDGBGACW111TN01, SDEBYAGS171TW01 and SDGBYAGS111TW01
6	511478	Central Pay Harness	From MDC control to customer supplied pay unit
7	514273	Control Assembly	Models BDEBCAGS171TN01, BDEBCAGS171TW01, BDEBXAGS171TW01, BDGBCAGS111TN01, BDGBCAGS111TW01 and BDGBXAGS111TW01
	511867P	Control Assembly	All other models
8	513777G	Control Panel Assembly	Gray; Models KDEBGACW171TN01 and KDGBGACW111TN01
	515215	Control Panel Assembly	Gray; Models KDEBCACW171TN01 and KDGBCACW111TN01
	513777Q	Control Panel and Bracket Assembly	Bisque; Models SDEBCAGS171TQ01 and SDGBCAGS111TQ01
	513777W	Control Panel and Bracket Assembly	White; Models BDEBCAGS171TW01, BDEBXAGS171TW01, BDGBCAGS111TW01, BDGBXAGS111TW01, HDEBCAGS171TW01, HDGBCAGS111TW01, SDEBCAGS171TW01, SDEBXAGS171TW01, SDEBYAGS171TW01, SDGBCAGS111TW01, SDGBXAGS111TW01 and SDGBYAGS111TW01
	513777B	Control Panel and Bracket Assembly	Black; Models BDEBCAGS171TN01 and BDGBCAGS111TN01
9	514637	Graphic Overlay	Models SDEBCAGS171TQ01, SDEBCAGS171TW01, SDEBXAGS171TW01, SDEBYAGS171TW01, SDGBCAGS111TQ01, SDGBCAGS111TW01, SDGBXAGS111TW01 and SDGBYAGS111TW01
	514645	Graphic Overlay	Models KDEBCACW171TN01, KDEBGACW171TN01, KDGBCACW111TN01 and KDGBGACW111TN01
	514641	Graphic Overlay	Models BDEBCAGS171TN01, BDEBCAGS171TW01, BDEBXAGS171TW01, BDGBCAGS111TN01, BDGBCAGS111TW01 and BDGBXAGS111TW01
	514640	Graphic Overlay	Models HDEBCAGS171TW01 and HDGBCAGS111TW01
10	501524	Screw	
11	54612	Key	800
12	27260P	Lock Kit	Includes item 13
13	804338	Lock Cam	
14	800379	Audit Switch Bracket	

# Control Cabinet Controls - Coin Drop Models

Coin Models



DRY2326P\_515202

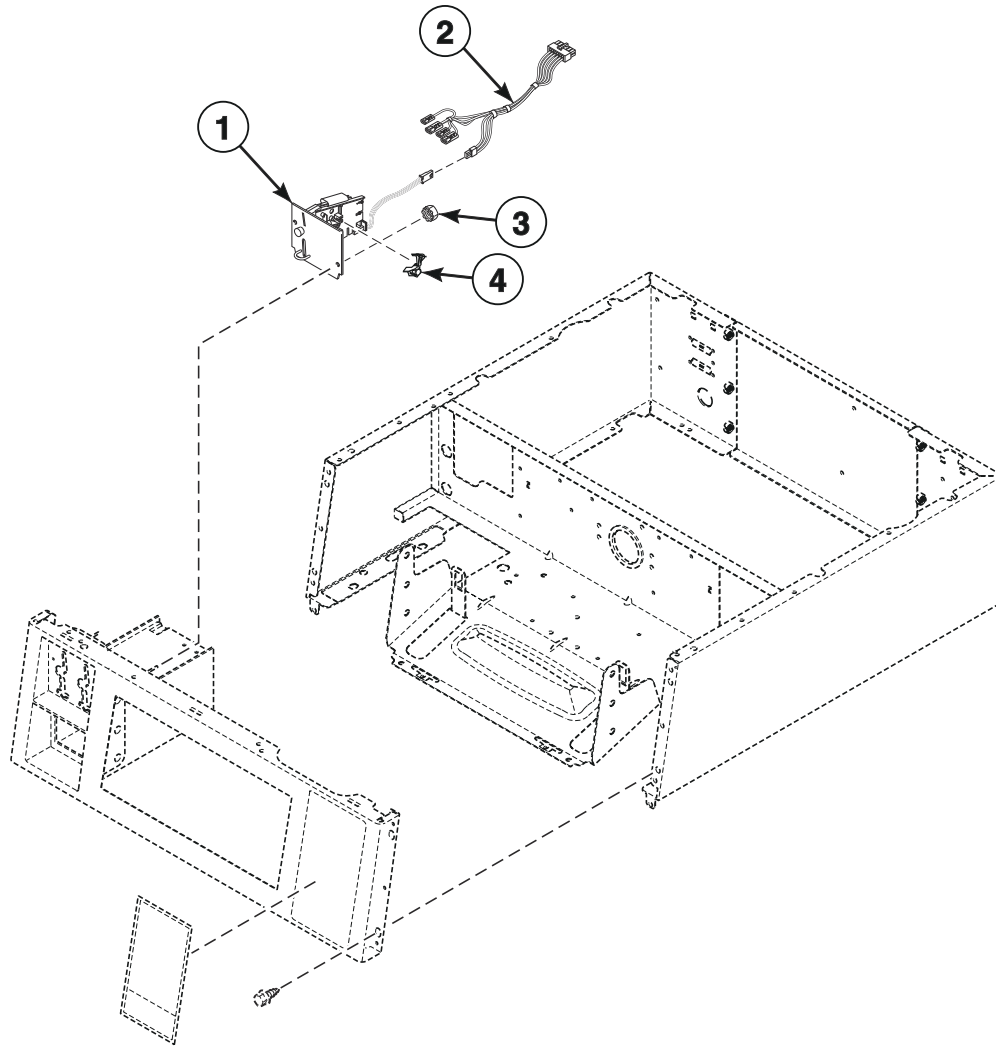


## Control Cabinet Controls - Coin Drop Models

REF	PART NO.	DESCRIPTION	COMMENTS
	44087201	Nut	Use with item 9; 2 required; Models BDEBCAGS171TN01, BDEBCAGS171TW01, BDGBCAGS111TN01, BDGBCAGS111TW01, HDEBCAGS171TW01, HDGBCAGS111TW01, SDEBCAGS171TQ01, SDEBCAGS171TW01, SDGBCAGS111TQ01 and SDGBCAGS111TW01
<b>1</b>	515219	Meter Case Assembly	Requires high capacity coin vault; Gray; Models KDEBCACW171TN01 and KDGBCACW111TN01
	804009W	Meter Case Assembly	Requires high capacity coin vault; White; Models BDEBCAGS171TW01, BDEBXAGS171TW01, BDGBCAGS111TW01, BDGBXAGS111TW01, HDEBCAGS171TW01, HDGBCAGS111TW01, SDEBCAGS171TW01, SDEBXAGS171TW01, SDGBCAGS111TW01 and SDGBXAGS111TW01
	804009Q	Meter Case Assembly	Requires high capacity coin vault; Bisque; Models SDEBCAGS171TQ01 and SDGBCAGS111TQ01
	804009B	Meter Case Assembly	Requires high capacity coin vault; Black; Models BDEBCAGS171TN01 and BDGBCAGS111TN01
<b>2</b>	515216	Security Wrapper Assembly	Gray; Models KDEBCACW171TN01 and KDGBCACW111TN01
	804104W	Wrapper Assembly	White; Models BDEBCAGS171TW01, BDEBXAGS171TW01, BDGBCAGS111TW01, BDGBXAGS111TW01, HDEBCAGS171TW01, HDGBCAGS111TW01, SDEBCAGS171TW01, SDEBXAGS171TW01, SDGBCAGS111TW01 and SDGBXAGS111TW01
	804104Q	Wrapper Assembly	Bisque; Models SDEBCAGS171TQ01 and SDGBCAGS111TQ01
	804104B	Wrapper Assembly	Black; Models BDEBCAGS171TN01 and BDGBCAGS111TN01
<b>3</b>	70240301	Screw	6 required
<b>4</b>	803998	Rear Access Panel	
<b>5</b>	70030501	Expansion Clip	6 required
<b>6</b>	515218	Control Panel	Gray; Models KDEBCACW171TN01 and KDGBCACW111TN01
	803962WP	Control Panel	White; Models BDEBCAGS171TW01, BDEBXAGS171TW01, BDGBCAGS111TW01, BDGBXAGS111TW01, HDEBCAGS171TW01, HDGBCAGS111TW01, SDEBCAGS171TW01, SDEBXAGS171TW01, SDGBCAGS111TW01 and SDGBXAGS111TW01
	803962Q	Control Panel	Bisque; Models SDEBCAGS171TQ01 and SDGBCAGS111TQ01
	803962BP	Control Panel	Black; Models BDEBCAGS171TN01 and BDGBCAGS111TN01
<b>7</b>	M405188	Screw	Models BDEBCAGS171TN01, BDGBCAGS111TN01, KDEBCACW171TN01 and KDGBCACW111TN01
	503688	Screw	All other models
<b>8</b>	515213	Operating Instruction Label	Models KDEBCACW171TN01 and KDGBCACW111TN01
	514393	Operating Instructions Label	All other models
<b>9</b>	29651	Bolt	2 required; Models BDEBCAGS171TN01, BDEBCAGS171TW01, BDGBCAGS111TN01, BDGBCAGS111TW01, HDEBCAGS171TW01, HDGBCAGS111TW01, SDEBCAGS171TQ01, SDEBCAGS171TW01, SDGBCAGS111TQ01 and SDGBCAGS111TW01
<b>10</b>	38717	Single Overlay	Models BDEBCAGS171TN01, BDEBCAGS171TW01, BDGBCAGS111TN01, BDGBCAGS111TW01, HDEBCAGS171TW01, HDGBCAGS111TW01, SDEBCAGS171TQ01, SDEBCAGS171TW01, SDGBCAGS111TQ01 and SDGBCAGS111TW01
	512821	Single Overlay	Models KDEBCACW171TN01 and KDGBCACW111TN01
<b>11</b>	512973	Switch	

# Non-Electronic Coin Drop

Coin Models



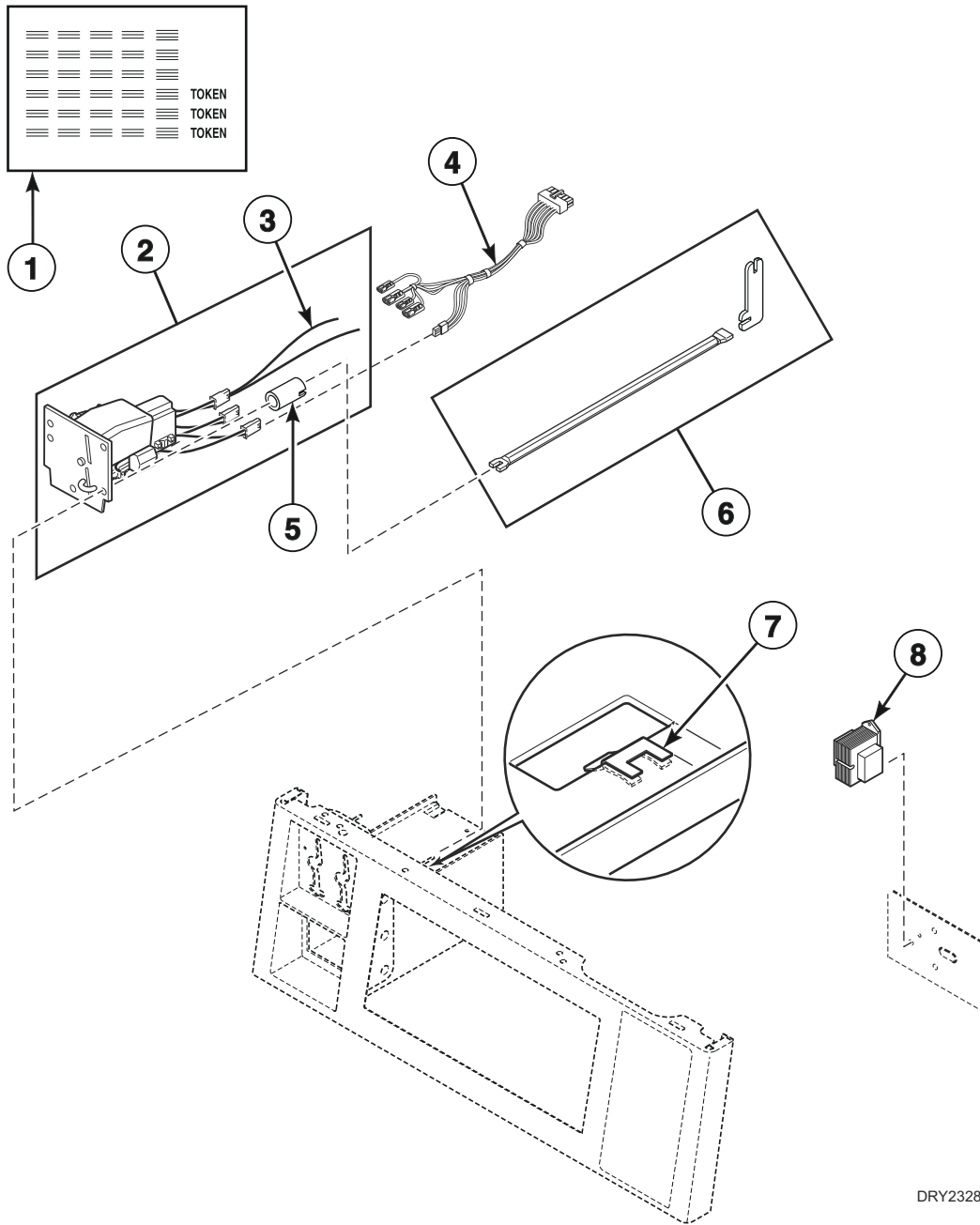
DRY2327P\_515202

## Non-Electronic Coin Drop

REF	PART NO.	DESCRIPTION	COMMENTS
1	38462P	Coin Drop Assembly	Token; 118-1 mzp; .880 diameter x .079 thick; Brass
	38463	Coin Drop Assembly	Token; 118-5 mzp; .990 diameter x .081 thick; Silver
	70441601P	Coin Drop	U.S.; \$.25
	38963P	Coin Drop	Token; 118-16 not available; Replacement for 38963P Coin Drop only
2	802904P	Harness Assembly	Models BDEBCAGS171TN01, BDEBCAGS171TW01, BDGBCAGS111TN01, BDGBCAGS111TW01, HDEBCAGS171TW01, HDGBCAGS111TW01, KDEBCACW171TN01, KDGBCACW111TN01, SDEBCAGS171TQ01, SDEBCAGS171TW01, SDGBCAGS111TQ01 and SDGBCAGS111TW01
	802905	Harness Assembly	All other models
3	29786	Nut	
4	201595P	Wire Guard	Anti-stringing security device; Add to coin drops

# Electronic Coin Drop

Coin Models



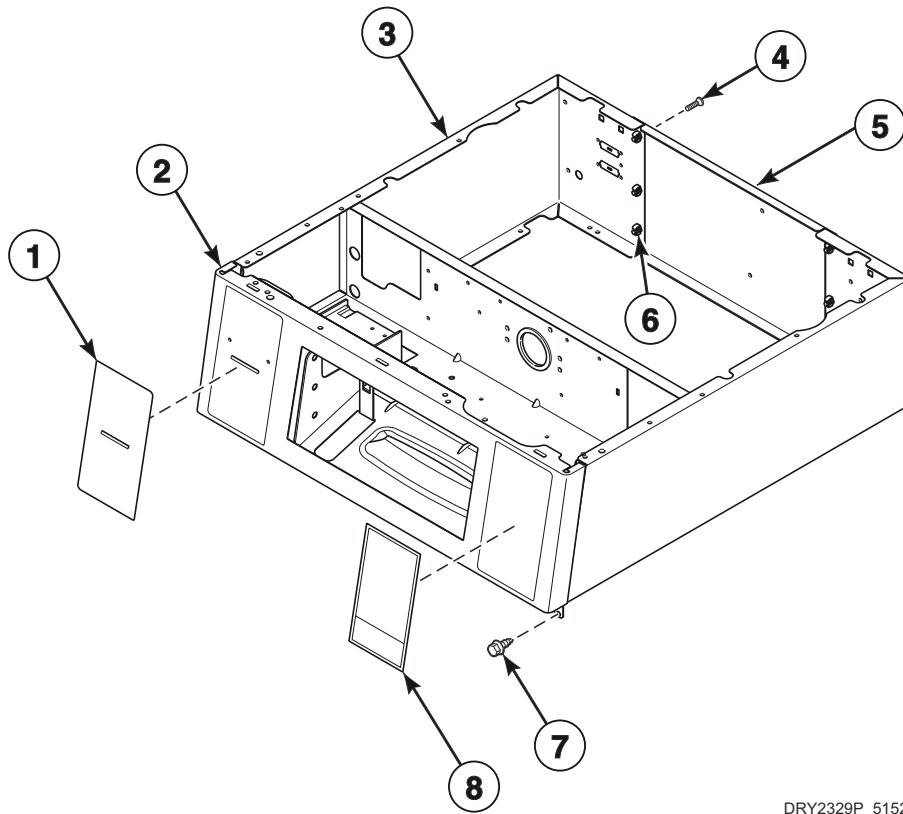
DRY2328P\_515202

# Electronic Coin Drop

REF	PART NO.	DESCRIPTION	COMMENTS
1	38725	Coin Identification Paper	
2	CK115	Electronic Coin Drop Kit	Includes items 1, 3, 5 and 7; United States and Canada coins
3	201104	Coin Drop Wire Harness	
4	802905	Harness Assembly	Electronic coin drop requires this harness. If unit is not factory-equipped with this harness, it must be ordered separately.
5	29786	Nut	Hexnut; Used with front assemblies without guide rods
6	CK096	Mounting Tool Kit	
7	201572	Clip	
8	201375P	Transformer	Electronic coin drop requires this transformer. If unit is not factory-equipped with this transformer, it must be ordered separately.

# Integrated Card Reader Installed and Ready Models

Models KDEBGACW171TN01, KDGBGACW111TN01, SDEBYAGS171TW01 and SDGBYAGS111TW01

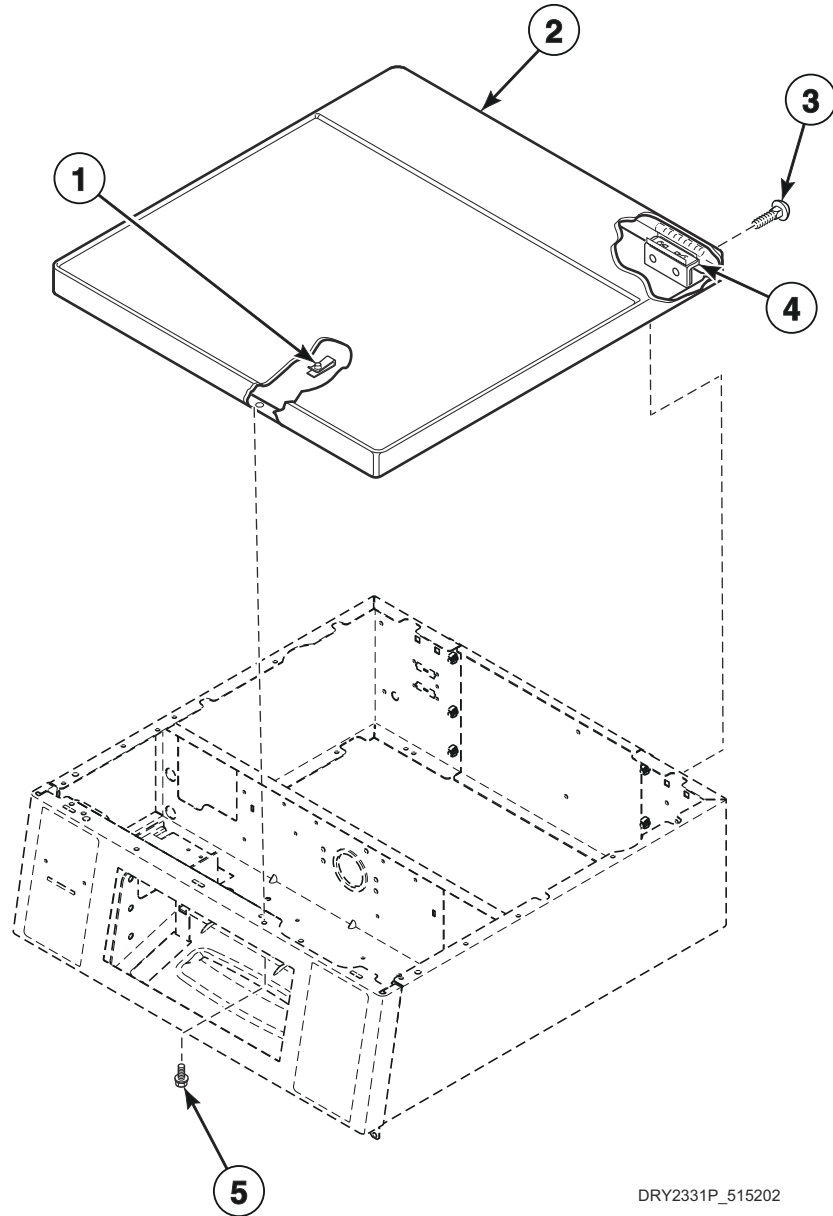


DRY2329P\_515202

## Integrated Card Reader Installed and Ready Models

REF	PART NO.	DESCRIPTION	COMMENTS
1	514391	Card Insert Overlay	Models SDEBYAGS171TW01 and SDGBYAGS111TW01
	512824	Blank Black Label	Models KDEBGACW171TN01 and KDGBGACW111TN01
2	515217	Control Panel	Gray; Models KDEBGACW171TN01 and KDGBGACW111TN01
	804149W	Security Cabinet Assembly	White; Models SDEBYAGS171TW01 and SDGBYAGS111TW01
3	515216	Security Wrapper Assembly	Gray; Models KDEBGACW171TN01 and KDGBGACW111TN01
	804111W	Wrapper Assembly	White; Models SDEBYAGS171TW01 and SDGBYAGS111TW01
4	70240301	Screw	6 required; Model SDEBYAGS171TW01
5	803998	Rear Access Panel	
6	70030501	Expansion Clip	6 required; Model SDEBYAGS171TW01
7	M405188	Screw	Use with stainless steel side panels
	503688	Screw	Use with painted side panels
8	514990	Operating Instruction Label	Models KDEBGACW171TN01 and KDGBGACW111TN01
	514393	Operating Instructions Label	Models SDEBYAGS171TW01 and SDGBYAGS111TW01

# Cabinet Top



DRY2331P\_515202

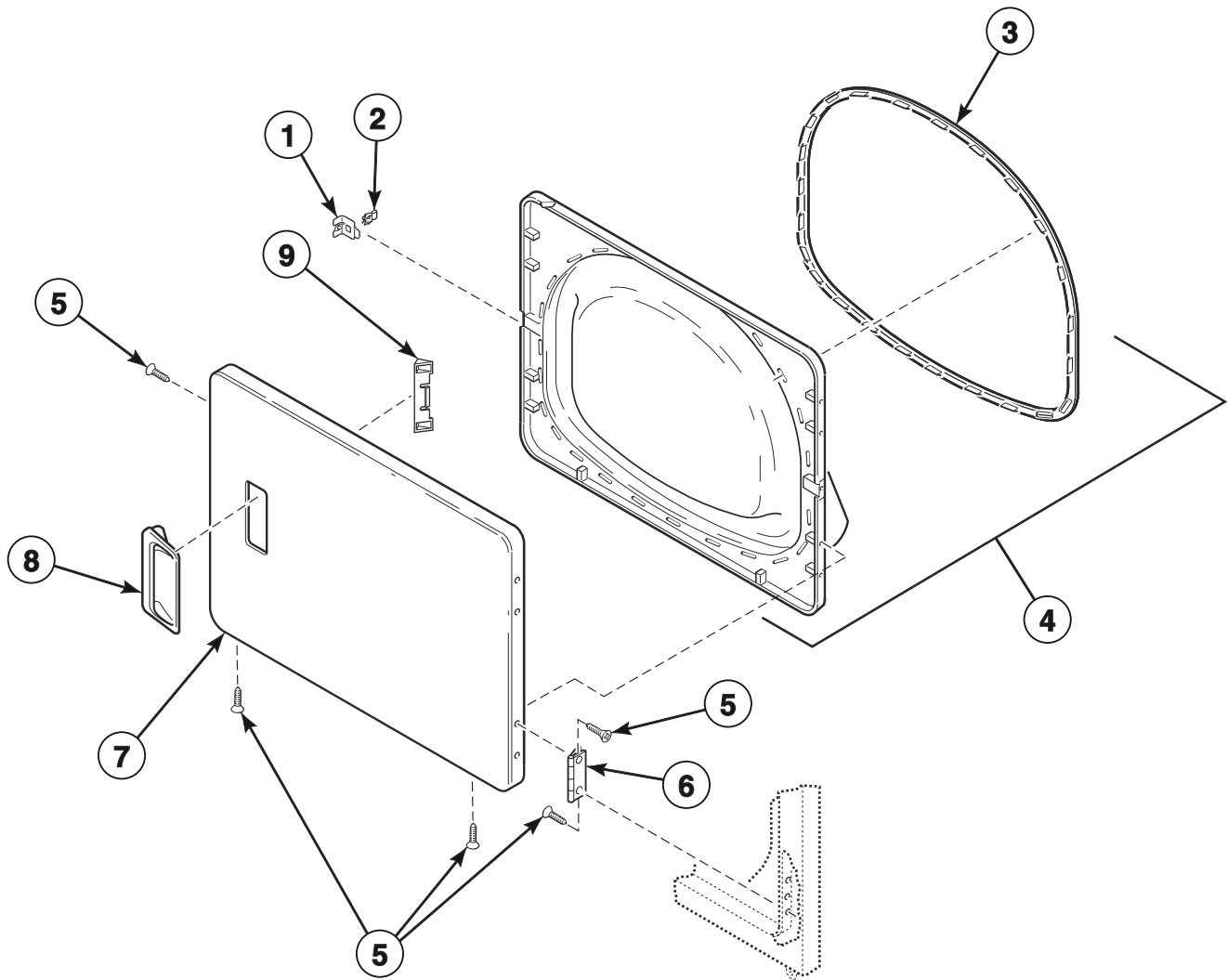


# Cabinet Top

REF	PART NO.	DESCRIPTION	COMMENTS
1	36020	Nut	
2	803869	Top Panel	Stainless steel; Models BDEBCAGS171TN01, BDGBCAGS111TN01, KDEBCACW171TN01, KDEBGACW171TN01, KDGBCACW111TN01 and KDGBGACW111TN01
	803868WP	Top Panel	White; Includes item 4; All other models
3	29651	Bolt	
4	504228	Top Mounting Bracket	
5	23008	Screw	

# Loading Door without Window

All Models Except KDEBCACW171TN01, KDEBGACW171TN01, KDGBACW111TN01 and KDGBGACW111TN01



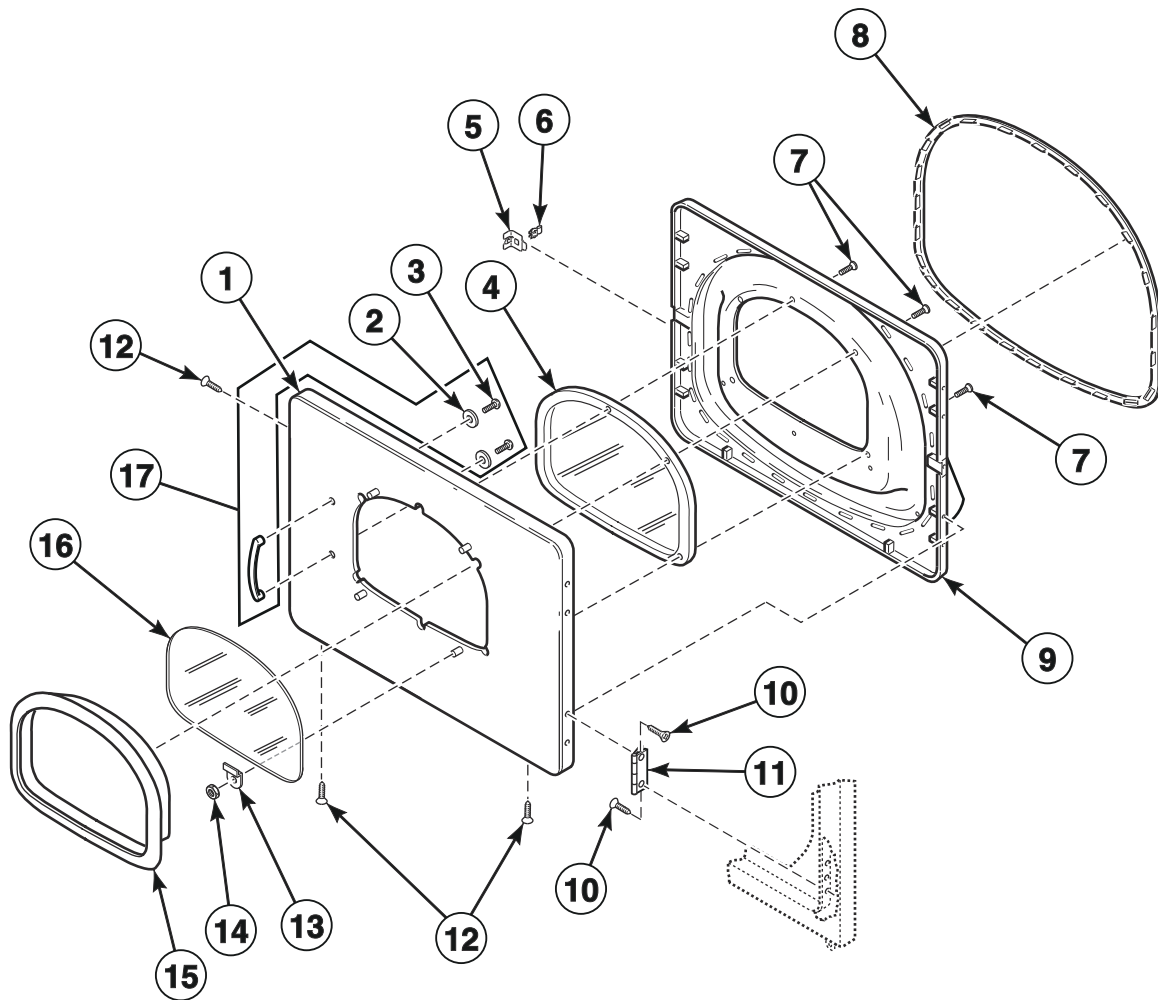
DRY1857P\_515202

## Loading Door without Window

REF	PART NO.	DESCRIPTION	COMMENTS
1	510127	Door Strike Mount	
2	510181	Door Strike	
3	510147P	Liner Door Seal	
4	513109P	Liner, Seal and Grill Assembly	Electric models
	510163WP	Liner, Seal and Grill Assembly	White; Gas models
5	514461	Screw	
6	511036	Hinge	
7	510013WP	Dryer Door	White
	510013QP	Dryer Door	Bisque
	512969	Dryer Door	Stainless steel; Includes item 9
8	510103WP	Door Pull and Wedge Kit	White; Includes item 9
	510103QP	Door Pull and Wedge Kit	Bisque; Includes item 9
	512947	Door Pull	Light gray
9	510129	Door Handle Wedge	

# Loading Door with Window

Models KDEBCACW171TN01, KDEBGACW171TN01, KDGBACW111TN01 and KDGBGACW111TN01

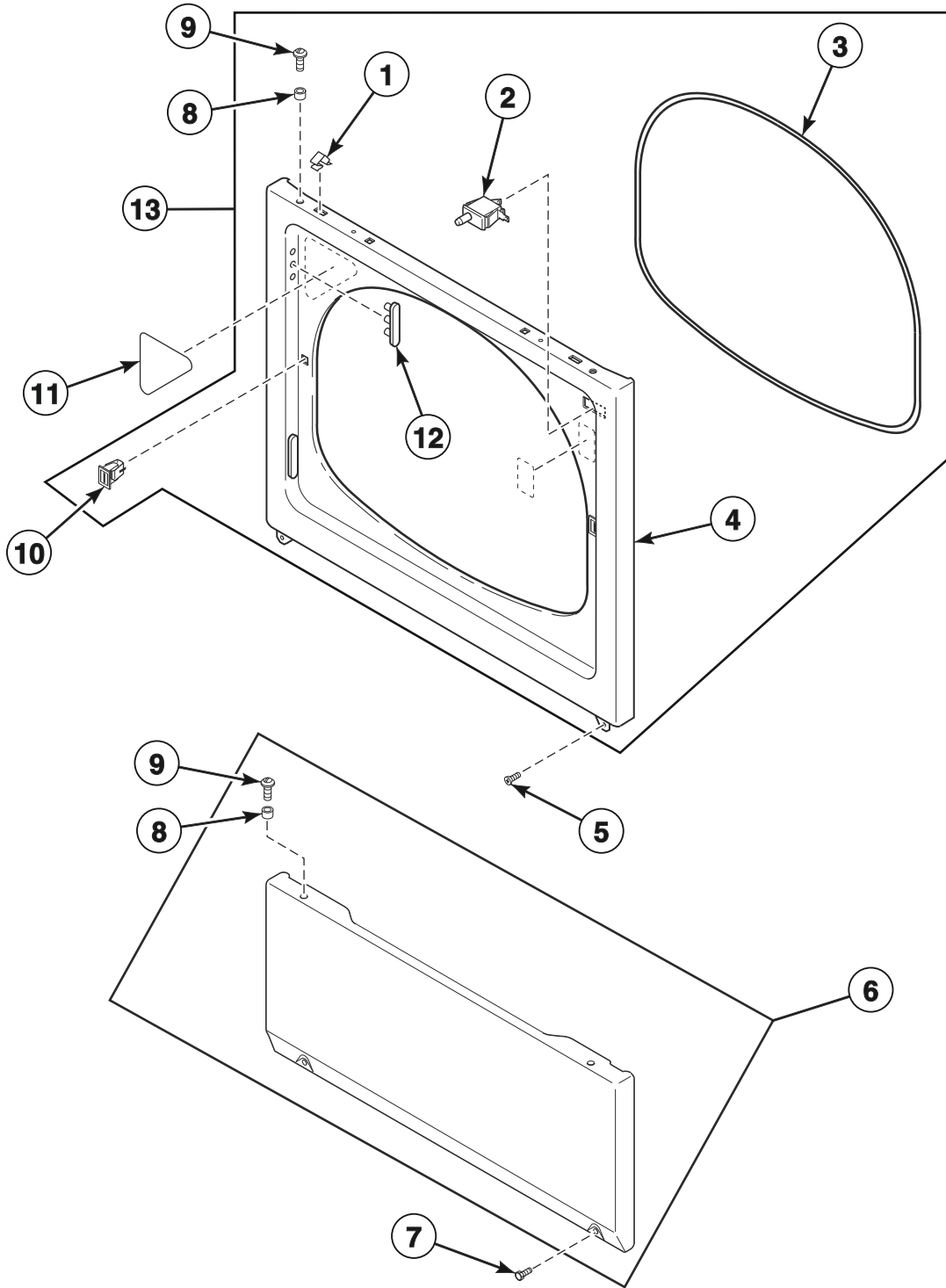


DRY2291P\_515202

## Loading Door with Window

REF	PART NO.	DESCRIPTION	COMMENTS
1	512699	Dryer Door	Models KDGBCACW111TN01 and KDGBGACW111TN01
	514167	Dryer Door Assembly	Models KDEBCACW171TN01 and KDEBGACW171TN01
2	29260	Washer	
3	512631	Screw	
4	503982P	Dryer Door Window	
5	510127	Door Strike Mount	
6	510181	Door Strike	
7	505870	Screw	
8	510147P	Liner Door Seal	
9	512914DG	Liner, Seal and Grill Assembly	
10	514461	Screw	
11	511036	Hinge	
12	500226	Screw	
13	513958	Window Clip	Models KDEBCACW171TN01 and KDEBGACW171TN01
14	44071201	Nut	Models KDEBCACW171TN01 and KDEBGACW171TN01
15	512632	Window Trim	Models KDGBCACW111TN01 and KDGBGACW111TN01
	514258	Window Trim	Models KDEBCACW171TN01 and KDEBGACW171TN01
16	513910	Glass Door Window	Models KDEBCACW171TN01 and KDEBGACW171TN01
17	512620P	Door Pull Kit	Includes items 2 and 3

# Access Panel, Front Panel and Seal

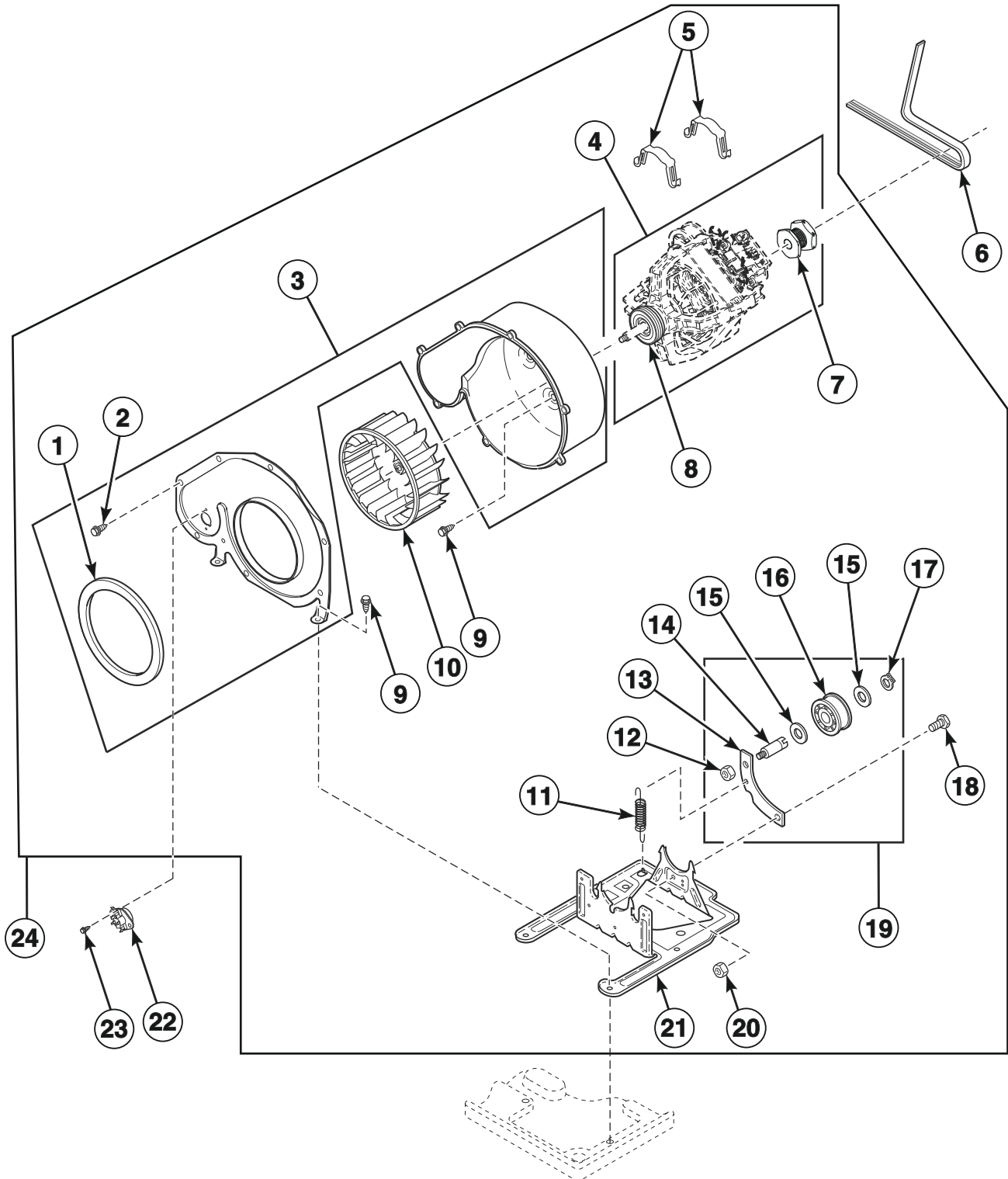


DRY1824P\_515202

## Access Panel, Front Panel and Seal

REF	PART NO.	DESCRIPTION	COMMENTS
1	28835	Speed Clip	1 per side
2	512973	Switch	
3	511056	Front Panel Seal	
4	512542	Front Panel	Stainless steel; Models BDEBCAGS171TN01, BDGBCAGS111TN01, KDEBCACW171TN01, KDEBGACW171TN01, KDGBCACW111TN01 and KDGBGACW111TN01
	510066WP	Front Panel	White; Models BDEBCAGS171TW01, BDEBXAGS171TW01, BDGBCAGS111TW01, BDGBXAGS111TW01, HDEBCAGS171TW01, HDGBCAGS111TW01, SDEBCAGS171TW01, SDEBXAGS171TW01, SDEBYAGS171TW01, SDGBCAGS111TW01, SDGBXAGS111TW01 and SDGBYAGS111TW01
	510066QP	Front Panel	Bisque; Models SDEBCAGS171TQ01 and SDGBCAGS111TQ01
5	M405188	Screw	Use with stainless steel side panels
	503688	Screw	Use with painted side panels
6	514251	Access Panel Assembly	Stainless steel; Models BDGBCAGS111TN01, KDGBCACW111TN01 and KDGBGACW111TN01
	514253	Access Panel and Guard Assembly	Stainless steel; Models BDEBCAGS171TN01, KDEBCACW171TN01 and KDEBGACW171TN01
	514252W	Access Panel and Guard Assembly	White; Models BDEBCAGS171TW01, BDEBXAGS171TW01, HDEBCAGS171TW01, SDEBCAGS171TW01, SDEBXAGS171TW01 and SDEBYAGS171TW01
	514252Q	Access Panel and Guard Assembly	Bisque; Model SDEBCAGS171TQ01
	514250WP	Access Panel Assembly	White; Models BDGBCAGS111TW01, BDGBXAGS111TW01, HDGBCAGS111TW01, SDGBCAGS111TW01, SDGBXAGS111TW01 and SDGBYAGS111TW01
	514250Q	Access Panel Assembly	Bisque; Model SDGBCAGS111TQ01
7	33562	Screw	Slotted hex head
	62853	Screw	Torx head; Optional for added security
8	56079	Panel Locator	1 per side
9	39733	Screw	1 per side
10	510177	Door Catch Assembly	
11	500281	Warning/Caution Label	
12	510186	Hinge Hole Plug	

# Motor, Exhaust Fan and Belt



DRY2084P\_515202

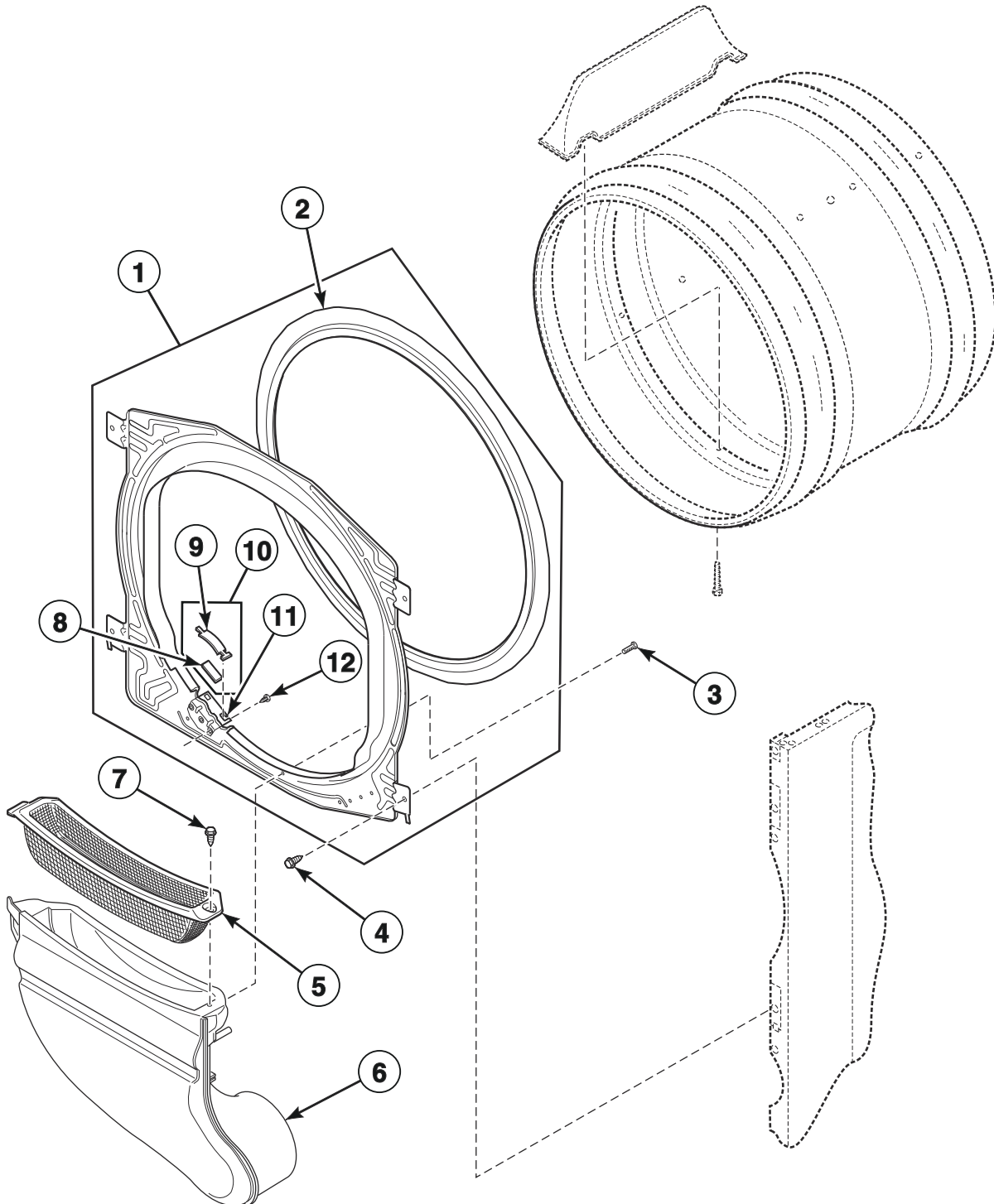


## Motor, Exhaust Fan and Belt

REF	PART NO.	DESCRIPTION	COMMENTS
	27604P	Anti-Seize Compound	Apply to motor shaft when installing blower fan assembly
1	510238P	Blower Housing Seal	
2	31260	Screw	
3	511969WP	Blower Housing	Includes items 1 and 2
4	511629P	Motor and Pulley Assembly	120 Volt/60 Hertz; Apply anti-seize compound to motor shaft when installing blower fan assembly; Includes items 7-9
5	510180	Motor Mount Clamp	
6	511255P	Cylinder Belt	
7	500011	Motor Pulley	60 Hertz
8	590P3	Motor Hub Ring Kit	
9	503688	Screw	
10	510139P	Blower Fan Assembly	Apply anti-seize compound to motor shaft when installing blower fan assembly
11	510185	Idler Spring	
12	56156	Nut	
13	510133	Idler Lever	
14	56461P	Shaft	
15	52549	Washer	
16	510142P	Idler Wheel and Bearing Assembly	
17	23748	Retaining Ring	
18	500824	Screw	
19	510158	Idler Lever and Wheel Assembly	Includes items 12-17
20	52566	Nut	
21	510060	Motor Mount	
22	510523	Thermistor Assembly	Black
23	502535	Screw	
24	510717P	Blower and Fan Kit	Includes items 1-5 and 7-21

# Front Bulkhead, Air Duct and Felt Seal

All Models Except KDEBCACW171TN01, KDEBGACW171TN01, KDGBCACW111TN01 and KDGBGACW111TN01



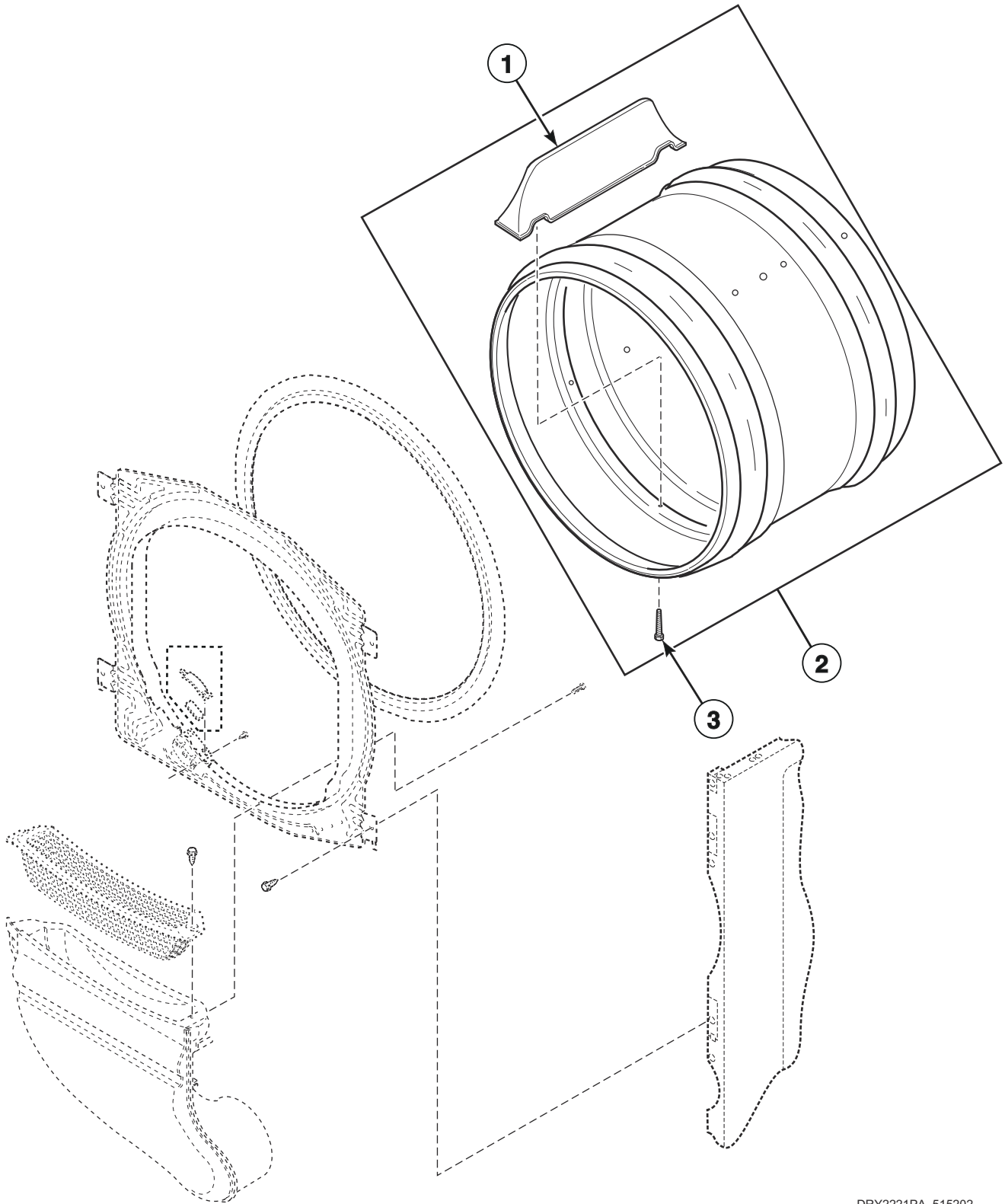
DRY2221P\_515202

## Front Bulkhead, Air Duct and Felt Seal

REF	PART NO.	DESCRIPTION	COMMENTS
1	510266P	Front Bulkhead Assembly	Unpainted; Includes items 2 and 8-12
2	510207P	Cylinder Seal Assembly	
	511637P	Adhesive	Apply to cylinder seal
	RB170001	Seal Kit	Includes 2 cylinder seals, 510238P Blower Housing Seal and 511637P Adhesive
3	514461	Screw	1 per side
4	M405188	Screw	Use with stainless steel side panels
	503688	Screw	Use with painted side panels
5	503980LG	Lint Filter	Gray; Models BDEBCAGS171TN01, BDEBCAGS171TW01, BDEBXAGS171TW01, HDEBCAGS171TW01, SDEBCAGS171TQ01, SDEBCAGS171TW01, SDEBXAGS171TW01 and SDEBYAGS171TW01
	503980W	Lint Filter	White; Models BDGBCAGS111TN01, BDGBCAGS111TW01, BDGBXAGS111TW01, HDGBCAGS111TW01, SDGBCAGS111TQ01, SDGBCAGS111TW01, SDGBXAGS111TW01 and SDGBYAGS111TW01
6	510151LG	Air Duct Assembly	Gray; Models BDEBCAGS171TN01, BDEBCAGS171TW01, BDEBXAGS171TW01, HDEBCAGS171TW01, SDEBCAGS171TQ01, SDEBCAGS171TW01, SDEBXAGS171TW01 and SDEBYAGS171TW01
	510151W	Air Duct Assembly	White; Models BDGBCAGS111TN01, BDGBCAGS111TW01, BDGBXAGS111TW01, HDGBCAGS111TW01, SDGBCAGS111TQ01, SDGBCAGS111TW01, SDGBXAGS111TW01 and SDGBYAGS111TW01
7	501285	Screw	
8	510189	Felt Pad	1 per side
9	513710	Cylinder Glide	1 per side
10	RB170003	Glide Kit	Includes (2) of items 8 and 9
11	510145	Cylinder Glide Bracket	1 per side
12	52864	Screw	2 per side

# Cylinder Assembly without Light

All Models Except KDEBCACW171TN01, KDEBGACW171TN01, KDGBCACW111TN01 and KDGBGACW111TN01



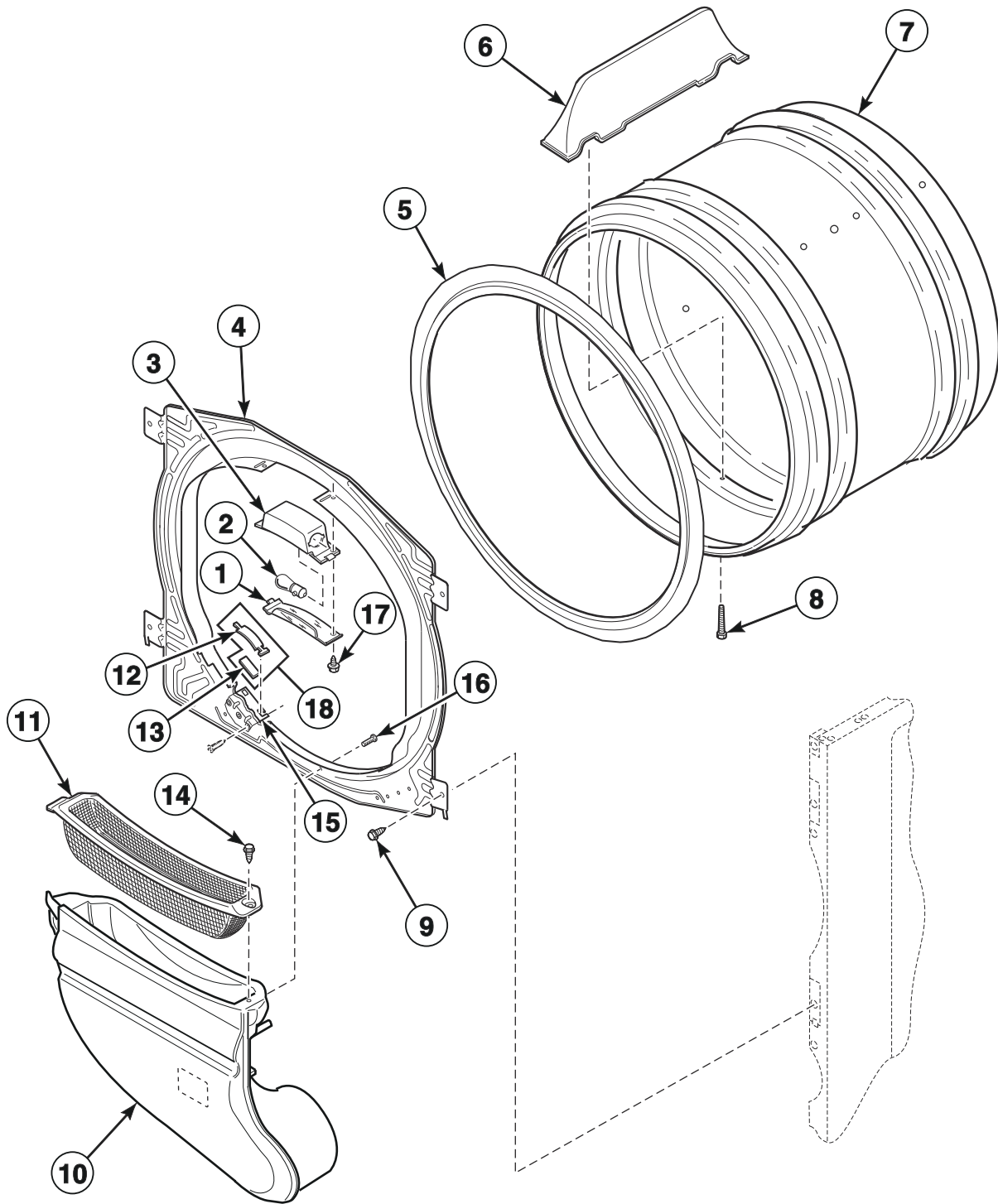
DRY2221PA\_515202

## Cylinder Assembly without Light

REF	PART NO.	DESCRIPTION	COMMENTS
1	510102LG	Cylinder Baffle	Gray; Models BDEBCAGS171TN01, BDEBCAGS171TW01, BDEBXAGS171TW01, HDEBCAGS171TW01, SDEBCAGS171TQ01, SDEBCAGS171TW01, SDEBXAGS171TW01 and SDEBYAGS171TW01
	510102W	Cylinder Baffle	White; Models BDGBCAGS111TN01, BDGBCAGS111TW01, BDGBXAGS111TW01, HDGBCAGS111TW01, SDGBCAGS111TQ01, SDGBCAGS111TW01, SDGBXAGS111TW01 and SDGBYAGS111TW01
2	510265LGP	Cylinder Assembly	Galvanized; Includes 3 of item 1 and 6 of item 3; Models BDEBCAGS171TN01, BDEBCAGS171TW01, BDEBXAGS171TW01, HDEBCAGS171TW01, SDEBCAGS171TQ01, SDEBCAGS171TW01, SDEBXAGS171TW01 and SDEBYAGS171TW01
	510265WP	Cylinder Assembly	Galvanized; Includes 3 of item 1 and 6 of item 3; Models BDGBCAGS111TN01, BDGBCAGS111TW01, BDGBXAGS111TW01, HDGBCAGS111TW01, SDGBCAGS111TQ01, SDGBCAGS111TW01, SDGBXAGS111TW01 and SDGBYAGS111TW01
3	62588	Screw	

# Front Bulkhead, Air Duct, Felt Seal and Cylinder with Light

Models KDEBCACW171TN01, KDEBGACW171TN01, KDGBCACW111TN01 and KDGBGACW111TN01

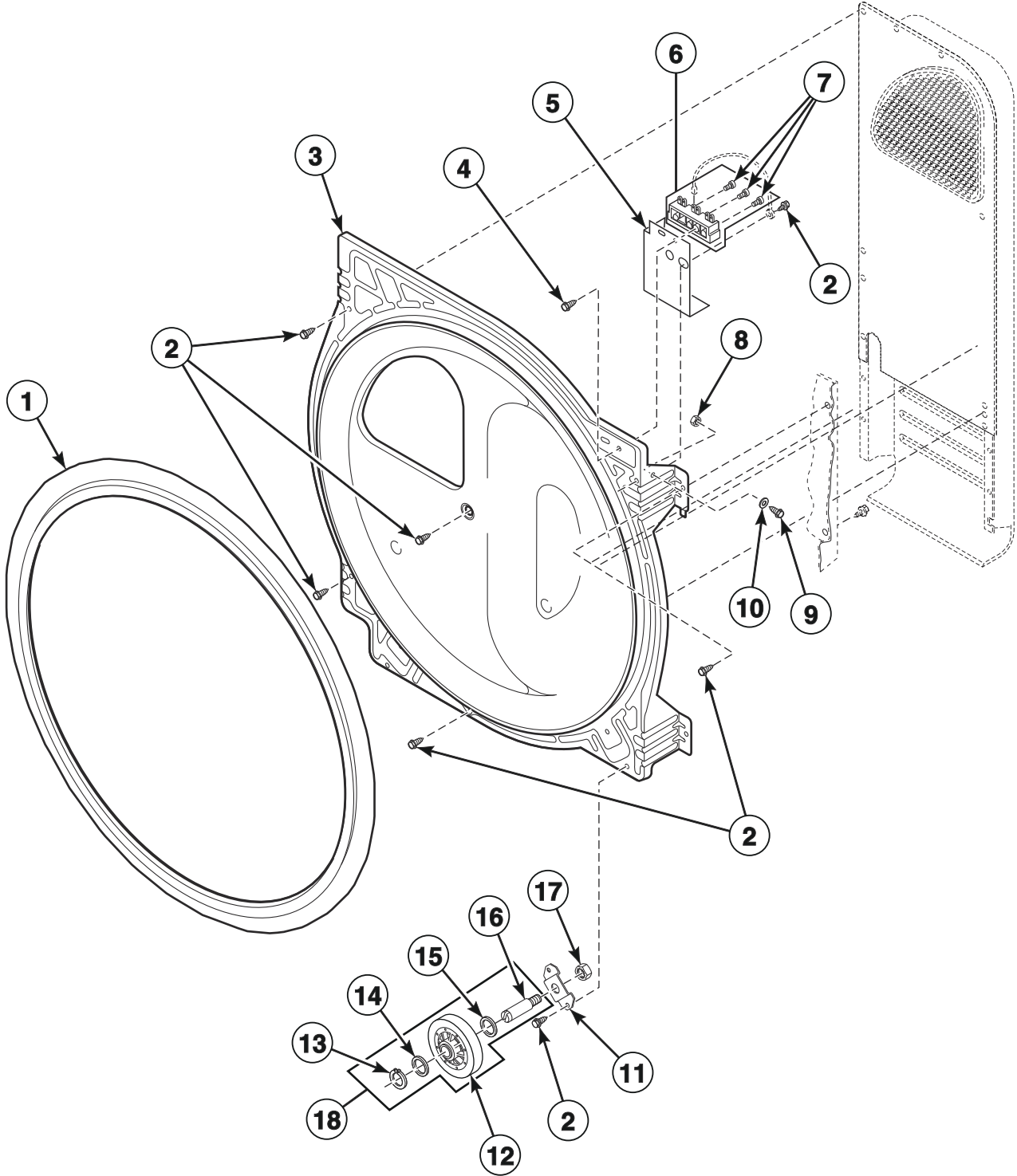


DRY2136P\_515202

## Front Bulkhead, Air Duct, Felt Seal and Cylinder with Light

REF	PART NO.	DESCRIPTION	COMMENTS
1	512106	Cylinder Light Lens	
2	60954	Drum Light Lamp	
3	512108	Light Housing Assembly	Includes item 2
4	512476	Front Bulkhead Assembly	Galvanized; Includes item 5
5	510207P	Cylinder Seal Assembly	
	511637P	Adhesive	Apply to cylinder seal
	RB170001	Seal Kit	Includes 2 cylinder seals, 510238P Blower Housing Seal and 511637P Adhesive
6	510102DG	Cylinder Baffle	
7	510265DG	Cylinder Assembly	Galvanized; Includes (3) of item 6 and (6) of item 8
8	62588	Screw	
9	M405188	Screw	Use with stainless steel side panels
	503688	Screw	Use with painted side panels
10	510151DG	Air Duct Assembly	
11	503980DG	Lint Filter	
12	513710	Cylinder Glide	
13	510189	Felt Pad	
14	501285	Screw	
15	510145	Cylinder Glide Bracket	
16	52864	Screw	
17	500227	Screw	
18	RB170003	Glide Kit	Includes (2) of items 12 and 13

# Rear Bulkhead, Felt Seal, Cylinder Roller and Terminal Block



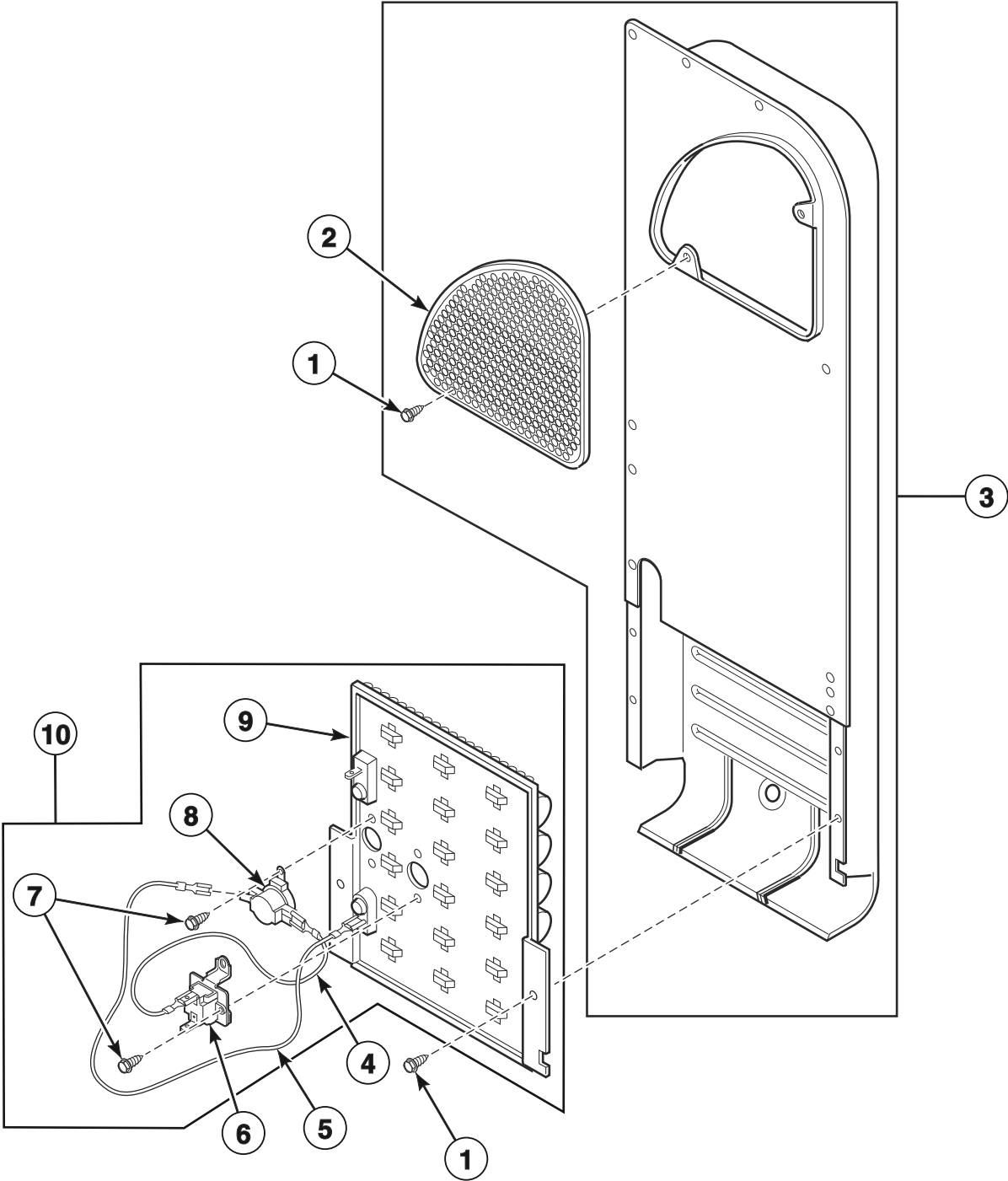
DRY1774P\_515202



## Rear Bulkhead, Felt Seal, Cylinder Roller and Terminal Block

REF	PART NO.	DESCRIPTION	COMMENTS
1	510207P	Cylinder Seal Assembly	
	511637P	Adhesive	Apply to cylinder seal
	RB170001	Seal Kit	Includes 2 cylinder seals, 510238P Blower Housing Seal and 511637P Adhesive
2	M405188	Screw	Models BDEBCAGS171TN01, BDGBCAGS111TN01, KDEBCACW171TN01, KDEBGACW171TN01, KDGBACW111TN01 and KDGBGACW111TN01
	503688	Screw	All other models
3	512698	Rear Bulkhead	Polished; Models KDEBCACW171TN01, KDEBGACW171TN01, KDGBACW111TN01 and KDGBGACW111TN01
	511082P	Rear Bulkhead Assembly	Galvanized; Includes item 1; All other models
4	501285	Screw	Electric models
5	510237	Terminal Block Shield	Electric models
6	510190P	Terminal Block Assembly	Includes 3 of item 7; Electric models BDEBCAGS171TN01, BDEBCAGS171TW01, BDEBXAGS171TW01, HDEBCAGS171TW01, KDEBCACW171TN01, KDEBGACW171TN01, SDEBCAGS171TQ01, SDEBCAGS171TW01, SDEBXAGS171TW01 and SDEBYAGS171TW01
7	61199	Screw	
8	28447	Nut	
9	28448	Screw	
10	28449	Washer	
11	510100	Cylinder Roller Bracket	
12	510708P	Cylinder Roller	
13	23748	Retaining Ring	
14	52549	Washer	
15	504082	Washer	
16	56461P	Shaft	
17	56156	Nut	
18	RB170002	Roller Kit	Includes item 12-16

# Heater Duct and Element Assembly - Electric Model Dryers

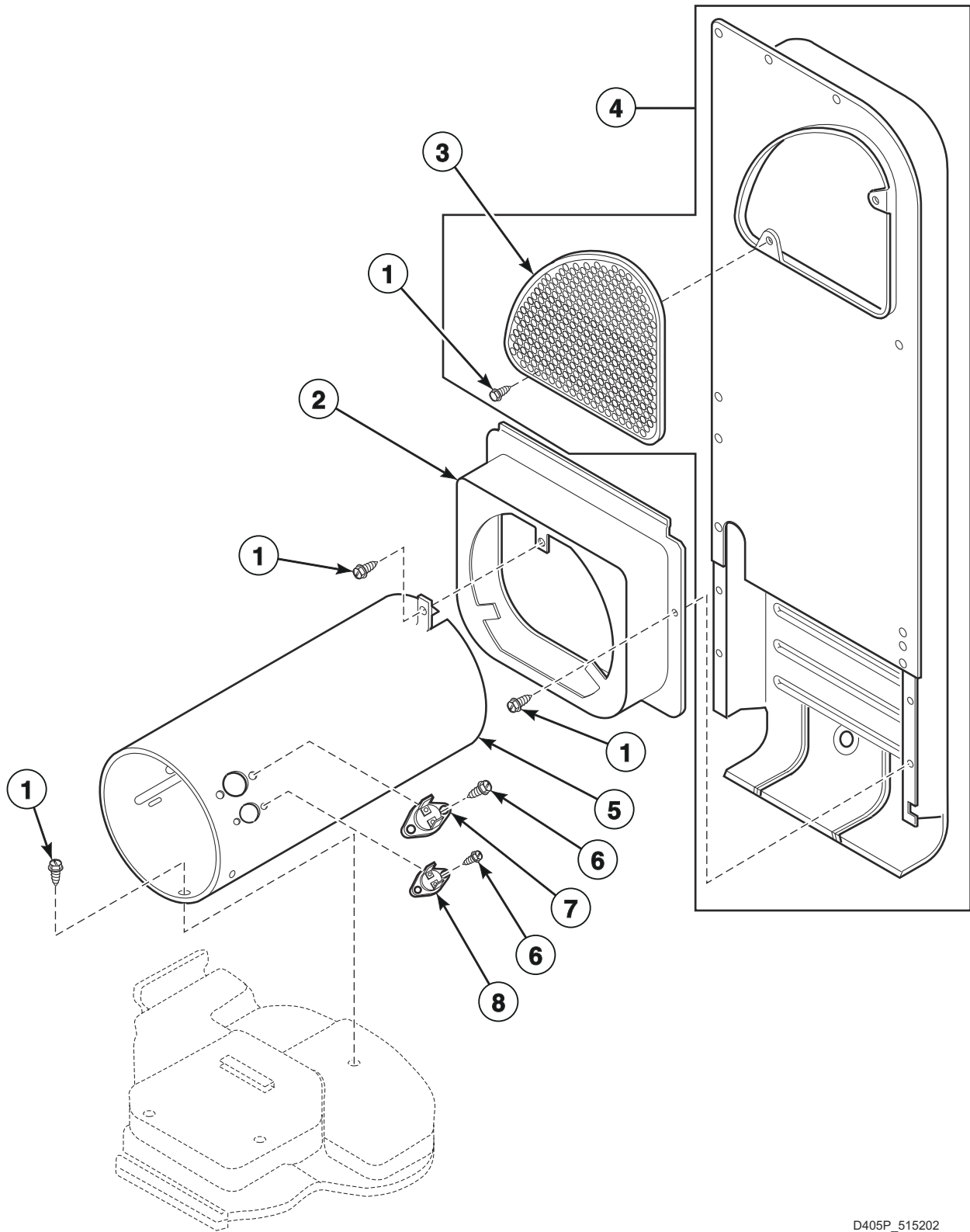


DRY1789P\_515202

## Heater Duct and Element Assembly - Electric Model Dryers

REF	PART NO.	DESCRIPTION	COMMENTS
1	503688	Screw	
2	500820	Outlet Cover	
3	510025P	Heater Duct and Screw Assembly	Includes items 1 and 2
4	510528	Wire Assembly	Orange; Thermostat jumper; Attaches to heater assembly
5	510527	Wire Assembly	Black; Fuse jumper; Attaches to heater assembly
6	511412	Thermal Fuse Assembly	
7	23222	Screw	
8	510701	Limit Thermostat	
9	510329P	Heater Assembly	5.35 kW; 240 Volt
10	61928	Heater Kit Assembly	4.75 kW; 208 Volt
	964P3	Heater Kit	5.35 kW; 240 Volt

# Heater Duct Assembly - Gas Model Dryers



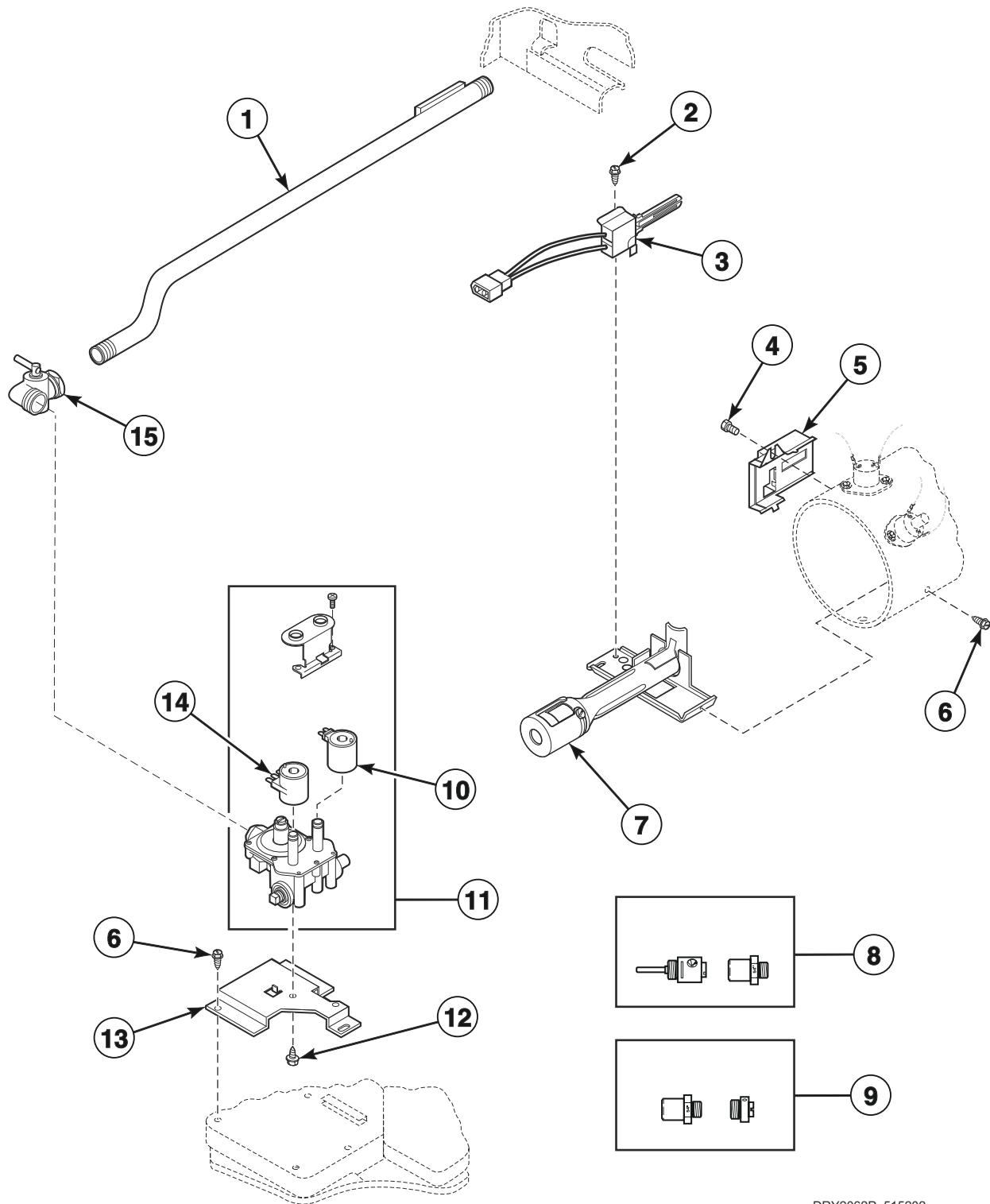
D405P\_515202

## Heater Duct Assembly - Gas Model Dryers

REF	PART NO.	DESCRIPTION	COMMENTS
1	503688	Screw	
2	510101	Heat Duct Shroud	
3	500820	Outlet Cover	
4	510025P	Heater Duct and Screw Assembly	Includes items 1 and 3
5	510132	Combustion Duct	
6	51782	Screw	
7	510702	Limit Thermostat	Black; Auto reset
8	510703	Thermostat	

# Gas Valve, Igniter and Gas Conversion Kits

Gas Models



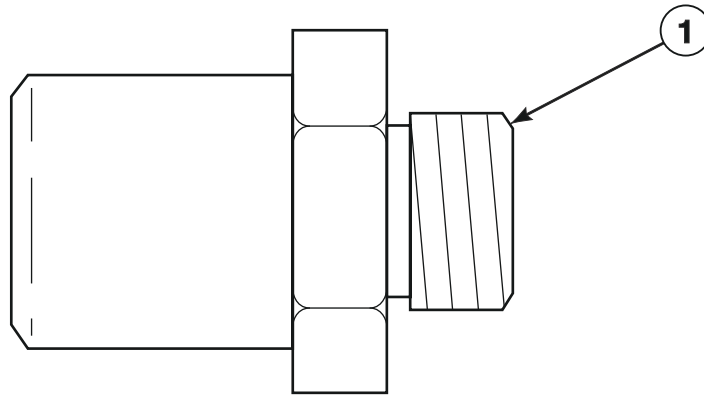
DRY2062P\_515202

## Gas Valve, Igniter and Gas Conversion Kits

REF	PART NO.	DESCRIPTION	COMMENTS
1	510204	Lead-In Pipe Assembly	
2	51782	Screw	
3	510184P	Igniter and Bracket Assembly	
4	23222	Screw	
5	510213	Sensor	
6	503688	Screw	
7	510149P	Burner Assembly	
8	458P3	L.P. Conversion Kit	Used to convert dryers from Natural Gas (N.G.) or Mixed Gas to Liquid Petroleum Gas (L.P.) for 25,000 Btu
9	459P3	N.G. Conversion Kit	Used to convert dryers from L.P. to N.G. or Mixed Gas for 25,000 Btu
10	58804B	Secondary Coil	
11	60353P	Gas Valve Assembly	25,000 Btu; Includes items 10 and 14
12	56124	Screw	
13	510128	Gas Valve Mounting Bracket	
14	58804A	Booster and Holding Coil	
15	510205	Elbow Shut-Off Valve	

# Burner Orifice Spuds - For Higher Elevations

Gas Models



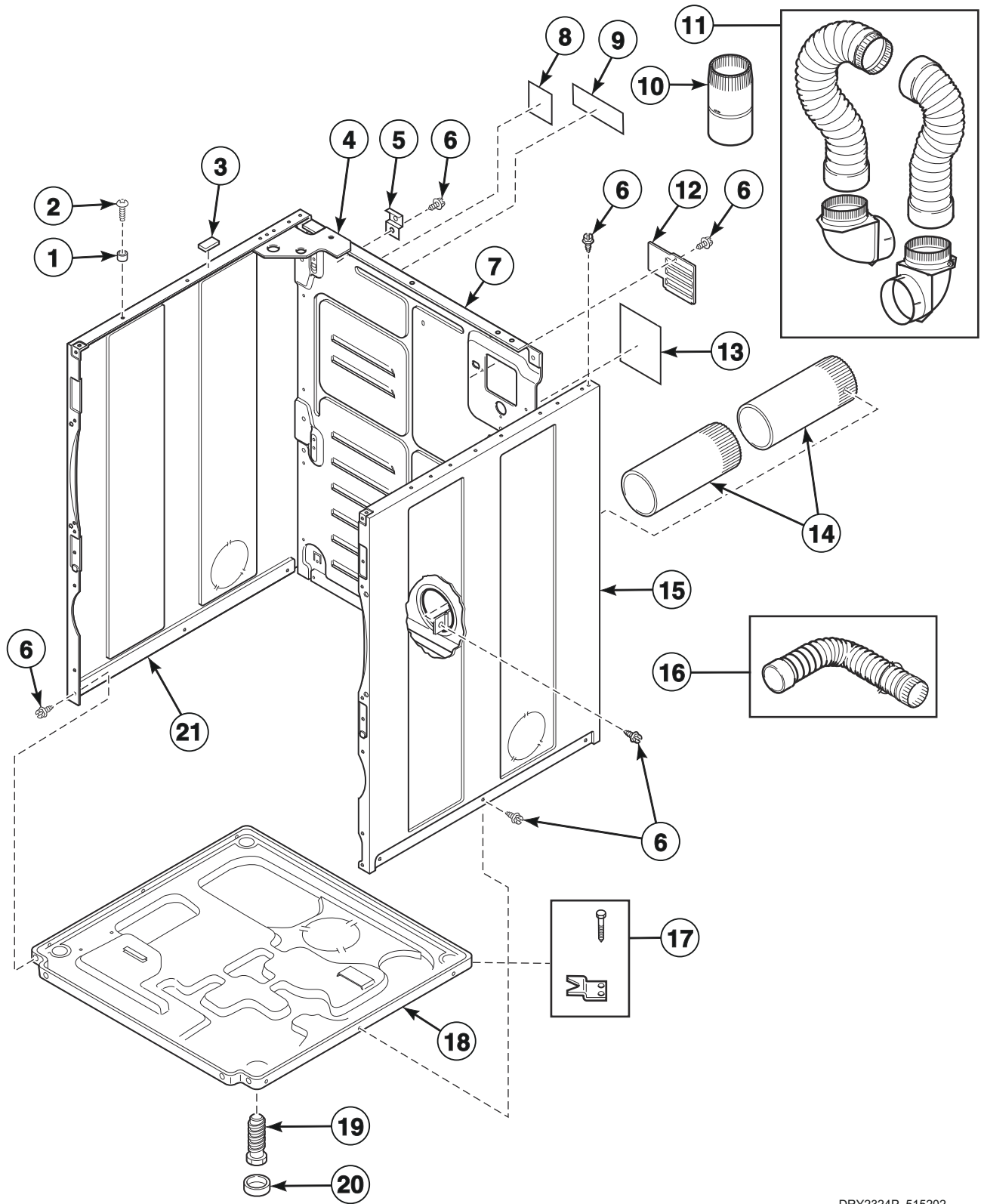
DRY2266P\_515202



## Burner Orifice Spuds - For Higher Elevations

REF	PART NO.	DESCRIPTION	COMMENTS
1	58755	L.P. Orifice	Liquid Petroleum Gas (L.P.); 7500-10999 feet (2290-3354 m)
	503786	L.P. Orifice	L.P.; 11000 feet (3355 m) and higher
	503776	N.G. Orifice	Natural Gas (N.G.); 2000-2999 feet (610-914 m)
	510517	N.G. Orifice	N.G.; 3000-5499 feet (915-1679 m)
	503778	N.G. Orifice	N.G.; 5500-6999 feet (1680-2134 m)
	58719	Screw Orifice	N.G.; 7000-8999 feet (2135-2744 m)
	503779	N.G. Orifice	N.G.; 9000-10499 feet (2745-3199 m)
	503780	N.G. Orifice	N.G.; 10500 feet (3200 m) and higher

# Cabinet, Exhaust Duct and Base

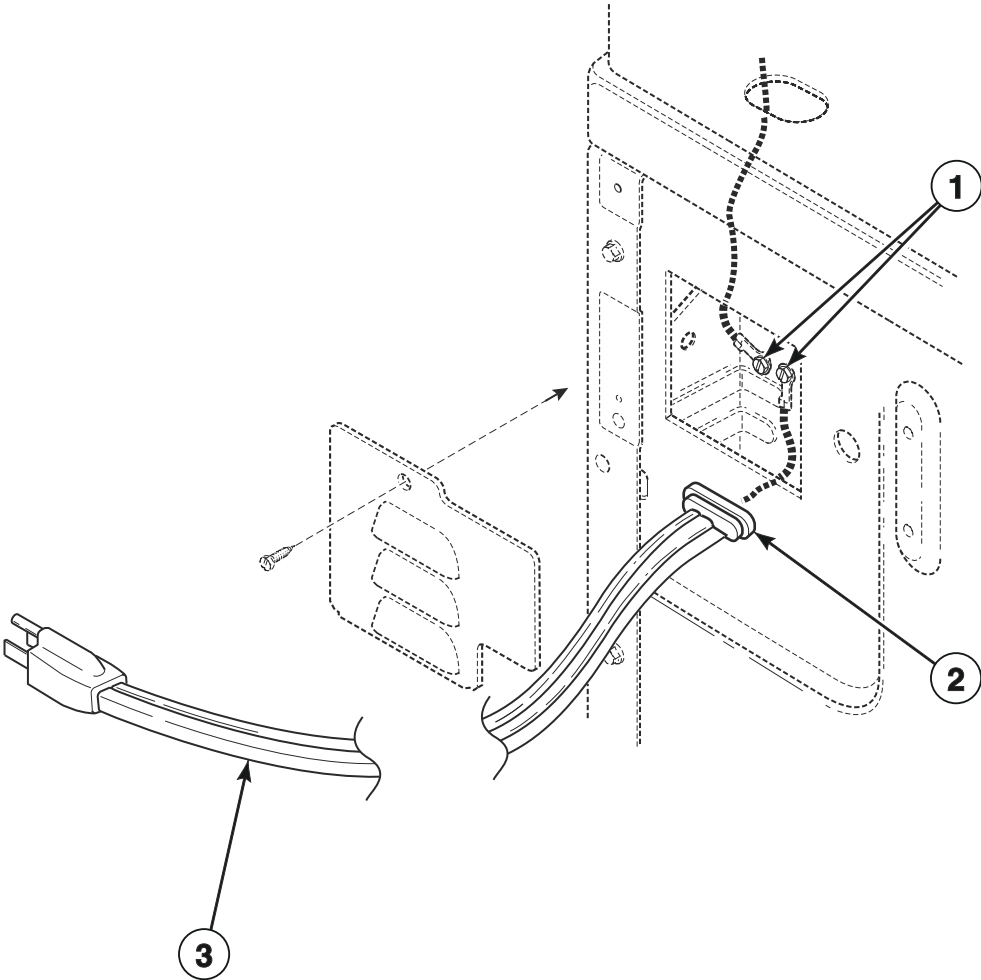


DRY2324P\_515202

## Cabinet, Exhaust Duct and Base

REF	PART NO.	DESCRIPTION	COMMENTS
1	56079	Panel Locator	
2	512921	Screw	Use with stainless steel panels
	39733	Screw	Use with painted panels
3	56128	Bumper Pad	
4	510337	Frame Gusset	
5	510136	Top Hinge	
6	503688	Screw	
7	510005P	Cabinet Rear Panel	
8	511004	Gas Clearance Label	Gas models
9	502791	Venting Instruction Label	
10	58786	Damper	Use when connecting to a manifold vent system
11	521P3	Flexible Venting Kit	
12	510903	Access Panel Plate	
13	511005	Electric Clearance Label	Electric models
14	510137	Exhaust Duct	Each dryer requires 2 pieces
15	512539	Cabinet Side Panel	Stainless steel; Right; Models KDEBCACW171TN01, KDEBGACW171TN01, KDGBCACW111TN01 and KDGBGACW111TN01
	510002QP	Cabinet Side Panel	Bisque; Right; Models SDEBCAGS171TQ01 and SDGBCAGS111TQ01
	510002GP	Cabinet Side Panel	Gray; Right; All other models
	512952	Cabinet Side Panel	Stainless steel; Right; All other models
	510002WP	Cabinet Side Panel	White; Right; All other models
16	528P3	Directional Exhaust Kit	Used to vent dryer out the sides or bottom
17	526P3	Hold Down Kit	For mobile home installations
18	513901	Dryer Base	
19	510135	Leveling Leg	
20	501855	Rubber Foot	
21	512538	Cabinet Side Panel	Stainless steel; Left; Models KDEBCACW171TN01, KDEBGACW171TN01, KDGBCACW111TN01 and KDGBGACW111TN01
	510001QP	Cabinet Side Panel	Bisque; Left; Models SDEBCAGS171TQ01 and SDGBCAGS111TQ01
	510001GP	Cabinet Side Panel	Gray; Left; All other models
	512951	Cabinet Side Panel	Stainless steel; Left; All other models
	510001WP	Cabinet Side Panel	White; Left; All other models

# Power Cord

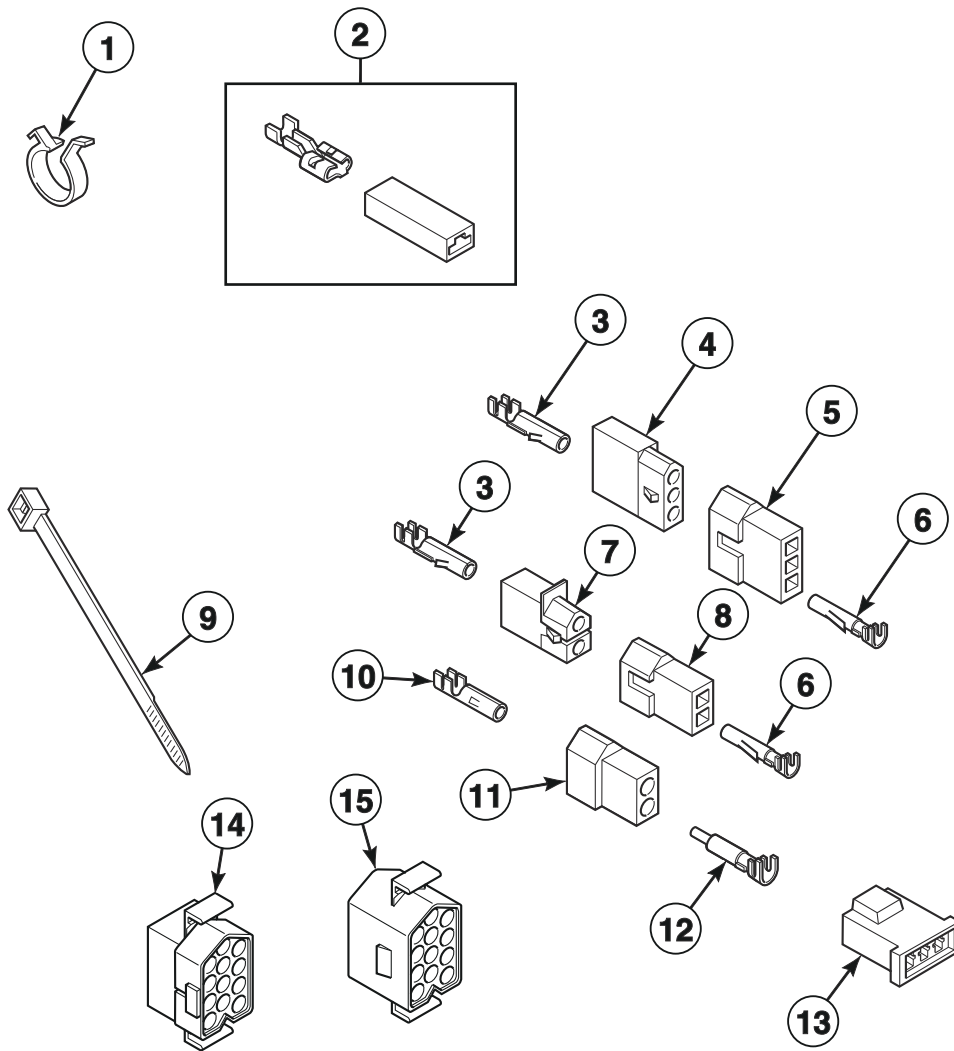


DRY1879P\_515202

# Power Cord

REF	PART NO.	DESCRIPTION	COMMENTS
1	513071	Screw	Models BDEBCAGS171TN01, BDGBCAGS111TN01, KDEBCACW171TN01 and KDGBCACW111TN01
	20530	Screw	All other models
2	38384	Strain Relief	Gas models
3	56222	Lead-In Cord	Gas models

# Terminal Block and Terminals (Drawing 1 of 2)

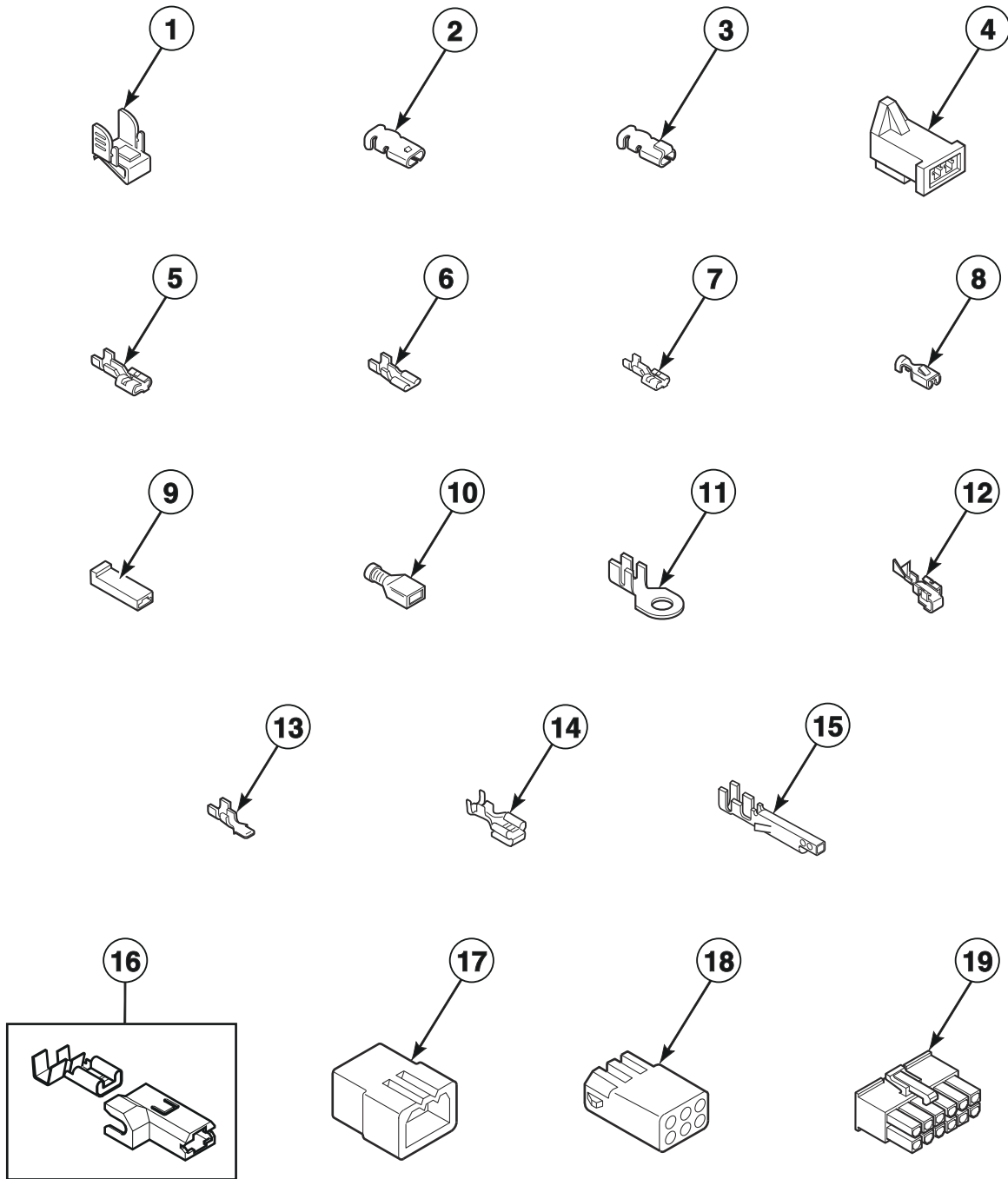


DRY2038P\_515202

## Terminal Block and Terminals (Drawing 1 of 2)

REF	PART NO.	DESCRIPTION	COMMENTS
1	504034	Wire Clip	11/16 inch
	687500	Wire Clip	1 inch
2	00360	Insulated Female Spade Terminal	(1) 12 gauge wire or (2) 18 gauge wires
3	00117	Female Pin Terminal	
4	23039	3 Circuit Receptacle	
5	23040	Plug	3 circuit
6	00116	Male Pin Terminal	
7	56451	2 Circuit Receptacle	
8	56448	2 Circuit Plug	
9	55881	Harness Strap	
10	00128	Female Pin Terminal	1/8 inch; 10-14 gauge wire
	00130	Female Pin Terminal	1/8 inch; 16-18 gauge wire
11	56266	2 Circuit Plug	
12	00127	Male Pin Terminal	1/8 inch; 10-14 gauge wire
	00129	Male Pin Terminal	1/8 inch; 16-18 gauge wire
13	58800	3 Circuit Connector	
14	54522	Plug	
15	56855	12 Circuit Receptacle	

## Terminal Block and Terminals (Drawing 2 of 2)



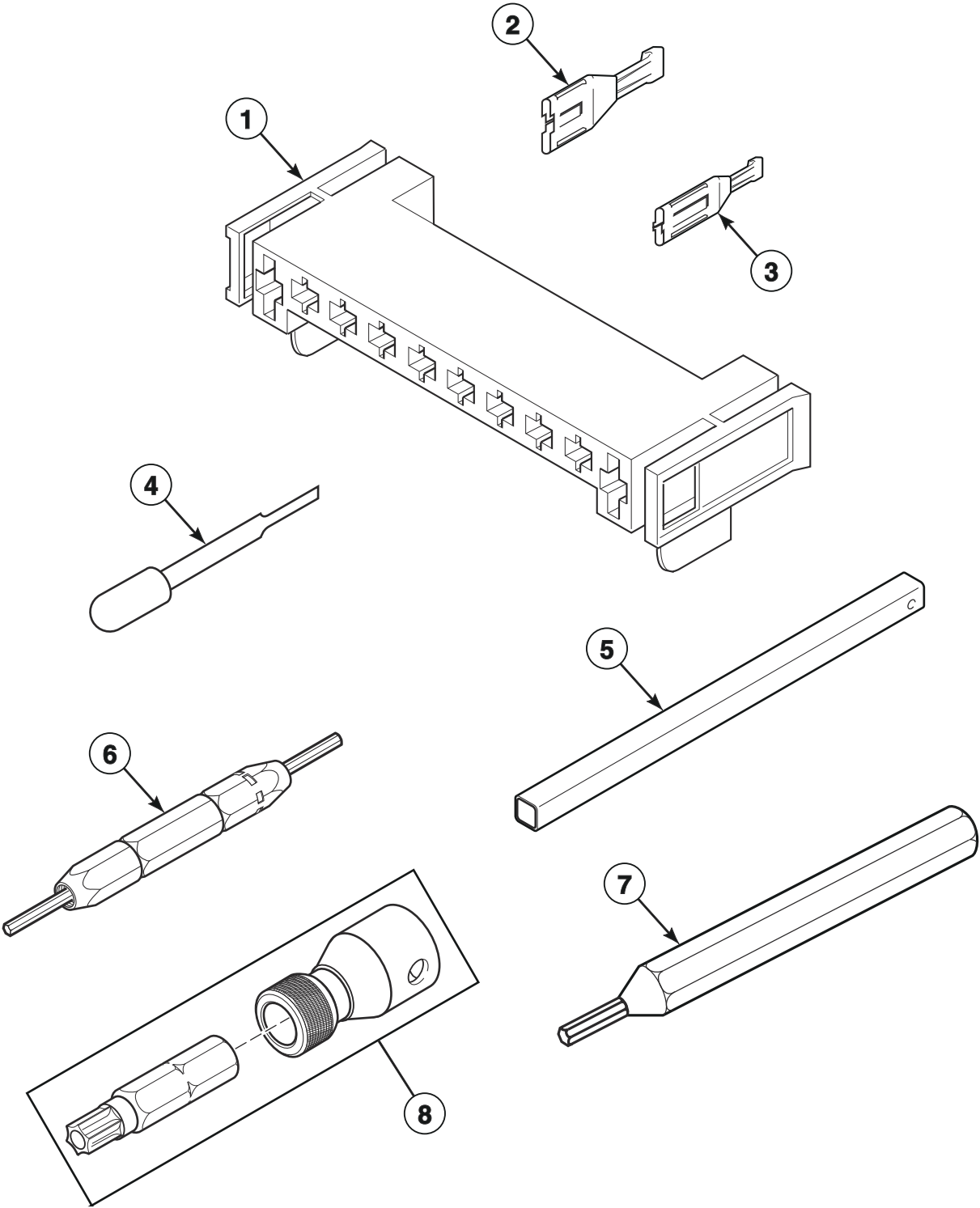
DRY2338P\_515202



## Terminal Block and Terminals (Drawing 2 of 2)

REF	PART NO.	DESCRIPTION	COMMENTS
1	00161	Grounding Clip	
2	00189	Female Spade Terminal	1/8 inch
3	00361	Female Piggyback Terminal	
4	58799	2 Circuit Connector	
5	00223	Female Spade Terminal	1/4 inch; (1) 18 gauge wire
	00121	Female Spade Terminal	1/4 inch; (2) 18 gauge wires or (1) 12 gauge wire
	00245	Spade Terminal	1/4 inch; (1) 22 gauge wire
6	00124	Female Spade Terminal	3/16 inch; (1) 18 gauge wire; .020 tab
7	00222	Female Spade Terminal	1/4 inch
8	00115	Female Spade Terminal	1/4 inch; (1) 18 gauge wire
9	90789	Receptacle Housing	
10	00359	Insulated Female Spade Terminal	1/4 inch
11	00110	Ring Terminal	No. 10; (1) 18 gauge wire
12	00114	Female Spade Terminal	1/4 inch; Double connector
13	00139	Male Tab Terminal	1/4 inch; (2) 18 gauge wires or (1) 12 gauge wire
14	00344	Female Tab Terminal	1/4 inch
15	00252	Terminal	
16	00221	Insulated Female Flag Terminal	
17	23033	9 Circuit Plug	
	26302	1 Circuit Plug	
18	26708	6 Circuit Receptacle	
	26301	1 Circuit Receptacle	
19	34596	10 Circuit Receptacle	
	501333	12 Circuit Receptacle	

# Terminals and Terminal Extractor Tools

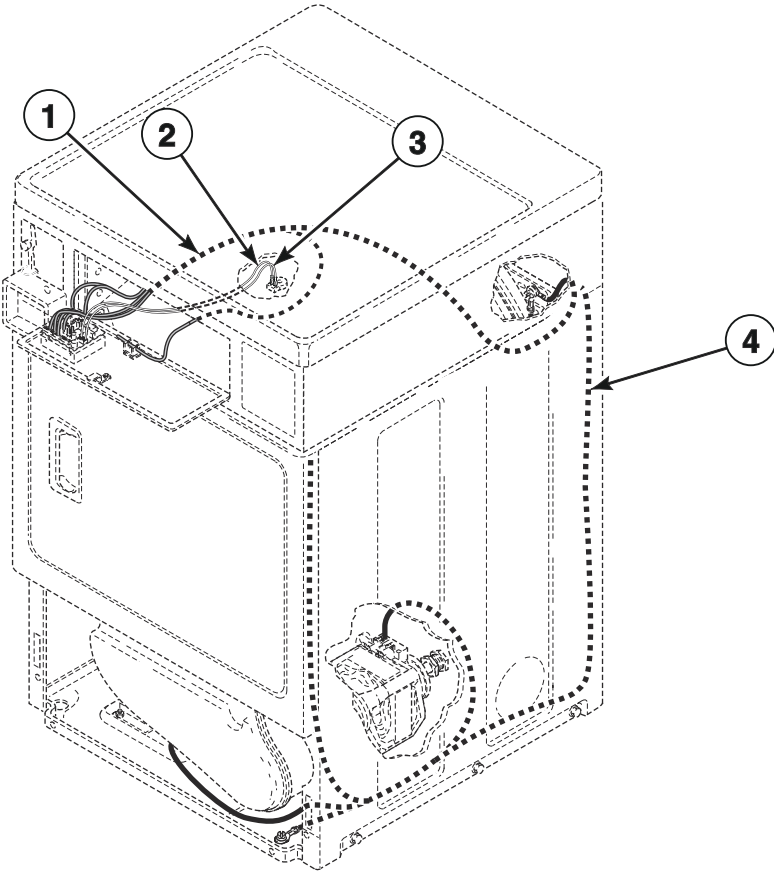


DRY2066P\_515202

## Terminals and Terminal Extractor Tools

REF	PART NO.	DESCRIPTION	COMMENTS
1	500338	10 Position Housing	
2	00255	Female Terminal	1/4 inch; (1) 12 gauge wire; Electric models
	00256	Female Terminal	1/4 inch; (1) or (2) 18 gauge wires
3	00188	Female Terminal	For 1 or 2 wire application
4	283P4	Terminal Extractor Tool	For use on Molex connectors
5	310P4	Ratchet Extension Tool	1/4 inch; For coin drop installation
6	190P4	Extractor Tool	For use on electric dryer terminals
7	128P4	Extractor Tool	For use on gas dryer terminals
8	281P4	Torx Bit	T15 Tamper Resistant Bit
	282P4	Torx Bit	Use with 62853 Screw on access panel; T25 Tamper Resistant Bit
	292P4	Torx Bit	T20 Standard Bit
	93501	Torx Drive Tool	T10 Standard Bit

# Wire Harnesses and Wires



DRY2285P\_515202

## Wire Harnesses and Wires

REF	PART NO.	DESCRIPTION	COMMENTS
	45001	18 Gauge Wire	Black; Order wire by foot; Order terminals and connectors as required
	45380	12 Gauge Wire	Orange; Order wire by foot; Order terminals and connectors as required
1	512422P	Wire Harness Assembly	Models BDEBCAGS171TN01, BDEBCAGS171TW01, BDEBXAGS171TW01, BDGBXAGS111TW01, HDEBCAGS171TW01, SDEBCAGS171TQ01, SDEBCAGS171TW01, SDEBXAGS171TW01, SDEBYAGS171TW01, SDGBCAGS111TQ01, SDGBCAGS111TW01, SDGBXAGS111TW01 and SDGBYAGS111TW01
	513983	Gas Harness	Models BDGBCAGS111TN01, BDGBCAGS111TW01, BDGBXAGS111TW01, HDGBCAGS111TW01, KDGBACW111TN01, KDGBGACW111TN01 and SDGBXAGS111TW01
2	512273P	Wire Configuration Assembly	Models BDEBCAGS171TN01, BDEBCAGS171TW01, BDEBXAGS171TW01, BDGBXAGS111TW01, HDEBCAGS171TW01, HDGBCAGS111TW01, SDEBCAGS171TQ01, SDEBCAGS171TW01, SDEBXAGS171TW01, SDEBYAGS171TW01, SDGBCAGS111TQ01, SDGBCAGS111TW01, SDGBXAGS111TW01 and SDGBYAGS111TW01
3	512275P	Wire Configuration Assembly	Models BDEBCAGS171TN01, BDEBCAGS171TW01, BDEBXAGS171TW01, BDGBXAGS111TW01, HDEBCAGS171TW01, HDGBCAGS111TW01, SDEBCAGS171TQ01, SDEBCAGS171TW01, SDEBXAGS171TW01, SDEBYAGS171TW01, SDGBCAGS111TQ01, SDGBCAGS111TW01, SDGBXAGS111TW01 and SDGBYAGS111TW01
4	514096	Electronic Harness	Models BDEBCAGS171TN01, BDEBCAGS171TW01, BDEBXAGS171TW01, BDGBXAGS111TW01, HDEBCAGS171TW01, SDEBCAGS171TQ01, SDEBCAGS171TW01, SDEBXAGS171TW01 and SDEBYAGS171TW01
	514855	Electronic Harness	Models BDGBCAGS111TN01, BDGBCAGS111TW01, HDGBCAGS111TW01, SDGBCAGS111TQ01, SDGBCAGS111TW01, SDGBXAGS111TW01 and SDGBYAGS111TW01
	514092	Electronic Harness	Models KDEBCACW171TN01 and KDEBGACW171TN01
	515073	Wire Harness Assembly	Models KDGBACW111TN01 and KDGBGACW111TN01

**NOTE: Individual wires are not available separately. Order complete harness, or order wire by the foot. When applying terminals to wires, it is recommended that the terminals be soldered to the wires.**



# Parts Index

## A

Access Panel and Guard Assembly	
514252Q .....	21
514252W .....	21
514253 .....	21
Access Panel Assembly	
514250Q .....	21
514250WP .....	21
514251 .....	21
Access Panel Plate	
510903 .....	41
Adhesive	
511637P .....	25, 29, 31
Air Duct Assembly	
510151DG .....	29
510151LG .....	25
510151W .....	25
Anti-Seize Compound	
27604P .....	23
Audit Switch Bracket	
800379 .....	5

## B

Blank Black Label	
512824 .....	13
Blower and Fan Kit	
510717P .....	23
Blower Fan Assembly	
510139P .....	23
Blower Housing	
511969WP .....	23
Blower Housing Seal	
510238P .....	23
Bolt	
29651 .....	7, 15
Booster and Holding Coil	
58804A .....	37
Bumper Pad	
56128 .....	41
Burner Assembly	
510149P .....	37

## C

Cabinet Rear Panel	
510005P .....	41
Cabinet Side Panel	
510001GP .....	41
510001QP .....	41
510001WP .....	41
510002GP .....	41
510002QP .....	41
510002WP .....	41
512538 .....	41
512539 .....	41
512951 .....	41

512952 .....	41
Card Insert Overlay	
514391 .....	13
Central Pay Harness	
511478 .....	5
Clip	
201572 .....	11
Coin Drop	
38963P .....	9
70441601P .....	9
Coin Drop Assembly	
38462P .....	9
38463 .....	9
Coin Drop Wire Harness	
201104 .....	11
Coin Identification Paper	
38725 .....	11
Combustion Duct	
510132 .....	35
Connector, 2 Circuit	
58799 .....	47
Connector, 3 Circuit	
58800 .....	45
Control Assembly	
511867P .....	5
514273 .....	5
Control Panel	
515217 .....	13
515218 .....	7
803962BP .....	7
803962Q .....	7
803962WP .....	7
Control Panel and Bracket Assembly	
513777B .....	5
513777Q .....	5
513777W .....	5
Control Panel Assembly	
513777G .....	5
515215 .....	5
Cylinder Assembly	
510265DG .....	29
510265LGP .....	27
510265WP .....	27
Cylinder Baffle	
510102DG .....	29
510102LG .....	27
510102W .....	27
Cylinder Belt	
511255P .....	23
Cylinder Glide	
513710 .....	25, 29
Cylinder Glide Bracket	
510145 .....	25, 29
Cylinder Light Lens	
512106 .....	29
Cylinder Roller	
510708P .....	31
Cylinder Roller Bracket	
510100 .....	31
Cylinder Seal Assembly	
510207P .....	25, 29, 31

N/A items do not appear in index.

---

**D**

Damper	
58786 .....	41
Diagnostic Wire Harness Assembly	
800374 .....	5
Directional Exhaust Kit	
528P3 .....	41
Door Catch Assembly	
510177 .....	21
Door Handle Wedge	
510129 .....	17
Door Pull	
512947 .....	17
Door Pull and Wedge Kit	
510103QP .....	17
510103WP .....	17
Door Pull Kit	
512620P .....	19
Door Strike	
510181 .....	17, 19
Door Strike Mount	
510127 .....	17, 19
Drum Light Lamp	
60954 .....	29
Dryer Base	
513901 .....	41
Dryer Door	
510013QP .....	17
510013WP .....	17
512699 .....	19
512969 .....	17
Dryer Door Assembly	
514167 .....	19
Dryer Door Window	
503982 .....	19

---

**E**

Elbow Shut-Off Valve	
510205 .....	37
Electric Clearance Label	
511005 .....	41
Electronic Coin Drop Kit	
CK115 .....	11
Electronic Harness	
514092 .....	51
514096 .....	51
514855 .....	51
Exhaust Duct	
510137 .....	41
Expansion Clip	
70030501 .....	7, 13
Extractor Tool	
128P4 .....	49
190P4 .....	49

---

**F**

Felt Pad	
510189 .....	25, 29

N/A items do not appear in index.

Female Piggyback Terminal	
00361 .....	47
Female Pin Terminal	
00117 .....	45
00128 .....	45
00130 .....	45
Female Spade Terminal	
00114 .....	47
00115 .....	47
00121 .....	47
00124 .....	47
00189 .....	47
00222 .....	47
00223 .....	47
Female Tab Terminal	
00344 .....	47
Female Terminal	
00188 .....	49
00255 .....	49
00256 .....	49
Flexible Venting Kit	
521P3 .....	41
Frame Gusset	
510337 .....	41
Front Bulkhead Assembly	
510266P .....	25
512476 .....	29
Front Panel	
510066QP .....	21
510066WP .....	21
512542 .....	21
Front Panel Seal	
511056 .....	21

---

**G**

Gas Clearance Label	
511004 .....	41
Gas Harness	
513983 .....	51
Gas Valve Assembly	
60353P .....	37
Gas Valve Mounting Bracket	
510128 .....	37
Glass Door Window	
513910 .....	19
Glide Kit	
RB170003 .....	25, 29
Graphic Overlay	
514637 .....	5
514640 .....	5
514641 .....	5
514645 .....	5
Grounding Clip	
00161 .....	47

---

**H**

Harness Assembly	
802904P .....	9
802905 .....	9, 11
Harness Strap	
55881 .....	45



Heat Duct Shroud 510101 .....	35
Heater Assembly 510329P .....	33
Heater Duct and Screw Assembly 510025P .....	33, 35
Heater Kit 964P3 .....	33
Heater Kit Assembly 61928 .....	33
Hinge 511036 .....	17, 19
Hinge Hole Plug 510186 .....	21
Hold Down Kit 526P3 .....	41
Housing, 10 Position 500338 .....	49

## I

Idler Lever 510133 .....	23
Idler Lever and Wheel Assembly 510158 .....	23
Idler Spring 510185 .....	23
Idler Wheel and Bearing Assembly 510142P .....	23
Igniter and Bracket Assembly 510184P .....	37
Insulated Female Flag Terminal 00221 .....	47
Insulated Female Spade Terminal 00359 .....	47
00360 .....	45

## K

Key 54612 .....	5
--------------------	---

## L

Lead-In Cord 56222 .....	43
Lead-In Pipe Assembly 510204 .....	37
Leveling Leg 510135 .....	41
Light Housing Assembly 512108 .....	29
Limit Thermostat 510701 .....	33
510702 .....	35
Liner Door Seal 510147P .....	17, 19
Liner, Seal and Grill Assembly 510163WP .....	17
512914DG .....	19

513109P .....	17
Lint Filter 503980DG .....	29
503980LG .....	25
503980W .....	25
Lock Cam 804338 .....	5
Lock Kit 27260P .....	5
L.P. Conversion Kit 458P3 .....	37
L.P. Orifice 503786 .....	39
58755 .....	39

## M

Male Pin Terminal 00116 .....	45
00127 .....	45
00129 .....	45
Male Tab Terminal 00139 .....	47
Meter Case Assembly 515219 .....	7
804009B .....	7
804009Q .....	7
804009W .....	7
Motor and Pulley Assembly 511629P .....	23
Motor Hub Ring Kit 590P3 .....	23
Motor Mount 510060 .....	23
Motor Mount Clamp 510180 .....	23
Motor Pulley 500011 .....	23
Mounting Tool Kit CK096 .....	11

## N

Nut 28447 .....	31
29786 .....	9, 11
36020 .....	15
44071201 .....	19
44087201 .....	7
52566 .....	23
56156 .....	23, 31
N.G. Conversion Kit 459P3 .....	37
N.G. Orifice 503776 .....	39
503778 .....	39
503779 .....	39
503780 .....	39
510517 .....	39

N/A items do not appear in index.

---

## O

Operating Instruction Label	
514990 .....	13
515213 .....	7
Operating Instructions Label	
514393 .....	7, 13
Outlet Cover	
500820 .....	33, 35

---

## P

Panel Locator	
56079 .....	21, 41
Plug	
23040 .....	45
54522 .....	45
Plug, 1 Circuit	
26302 .....	47
Plug, 2 Circuit	
56266 .....	45
56448 .....	45
Plug, 9 Circuit	
23033 .....	47

---

## R

Ratchet Extension Tool	
310P4 .....	49
Rear Access Panel	
803998 .....	7, 13
Rear Bulkhead	
512698 .....	31
Rear Bulkhead Assembly	
511082P .....	31
Receptacle Housing	
90789 .....	47
Receptacle, 1 Circuit	
26301 .....	47
Receptacle, 10 Circuit	
34596 .....	47
Receptacle, 12 Circuit	
501333 .....	47
56855 .....	45
Receptacle, 2 Circuit	
56451 .....	45
Receptacle, 3 Circuit	
23039 .....	45
Receptacle, 6 Circuit	
26708 .....	47
Resistor	
210100 .....	5
Retaining Ring	
23748 .....	23, 31
Ring Terminal	
00110 .....	47
Roller Kit	
RB170002 .....	31
Rubber Foot	
501855 .....	41

---

## S

Screw	
M405188 .....	7, 13, 21, 25, 29, 31
20530 .....	43
23008 .....	15
23222 .....	33, 37
28448 .....	31
31260 .....	23
33562 .....	21
39733 .....	21, 41
500226 .....	19
500227 .....	29
500824 .....	23
501285 .....	25, 29, 31
501524 .....	5
502535 .....	23
503688 .....	5, 7, 13, 21, 23, 25, 29, 31, 33, 35, 37, 41
505870 .....	19
512631 .....	19
512921 .....	41
513071 .....	43
514461 .....	17, 19, 25
51782 .....	35, 37
52864 .....	25, 29
56124 .....	37
61199 .....	31
62588 .....	27, 29
62853 .....	21
70240301 .....	7, 13

Screw Orifice	
58719 .....	39
Seal Kit	
RB170001 .....	25, 29, 31
Secondary Coil	
58804B .....	37
Security Cabinet Assembly	
804149W .....	13
Security Wrapper Assembly	
515216 .....	7, 13
Sensor	
510213 .....	37
Shaft	
56461P .....	23, 31
Single Overlay	
38717 .....	7
512821 .....	7
Spade Terminal	
00245 .....	47
Speed Clip	
28835 .....	21
Strain Relief	
38384 .....	43
Switch	
512973 .....	5, 7, 21

---

## T

Terminal	
00252 .....	47
Terminal Block Assembly	
510190P .....	31

N/A items do not appear in index.

Terminal Block Shield 510237 .....	31
Terminal Extractor Tool 283P4 .....	49
Thermal Fuse Assembly 511412 .....	33
Thermistor Assembly 510523 .....	23
Thermostat 510703 .....	35
Top Hinge 510136 .....	41
Top Mounting Bracket 504228 .....	15
Top Panel 803868WP .....	15
803869 .....	15
Torx Bit 281P4 .....	49
282P4 .....	49
292P4 .....	49
Torx Drive Tool 93501 .....	49
Transformer 201375P .....	5, 11
210018P .....	5

Wire, 18 Gauge 45001 .....	51
Wrapper Assembly 804104B .....	7
804104Q .....	7
804104W .....	7
804111W .....	13

## V

Venting Instruction Label 502791 .....	41
---	----

## W

Warning/Caution Label 500281 .....	21
Washer 28449 .....	31
29260 .....	19
504082 .....	31
52549 .....	23, 31
Window Clip 513958 .....	19
Window Trim 512632 .....	19
514258 .....	19
Wire Assembly 510527 .....	33
510528 .....	33
Wire Clip 504034 .....	45
687500 .....	45
Wire Configuration Assembly 512273P .....	51
512275P .....	51
Wire Guard 201595P .....	9
Wire Harness Assembly 512422P .....	51
515073 .....	51
Wire, 12 Gauge 45380 .....	51

N/A items do not appear in index.

Notes

Lined area for notes, consisting of multiple horizontal lines.